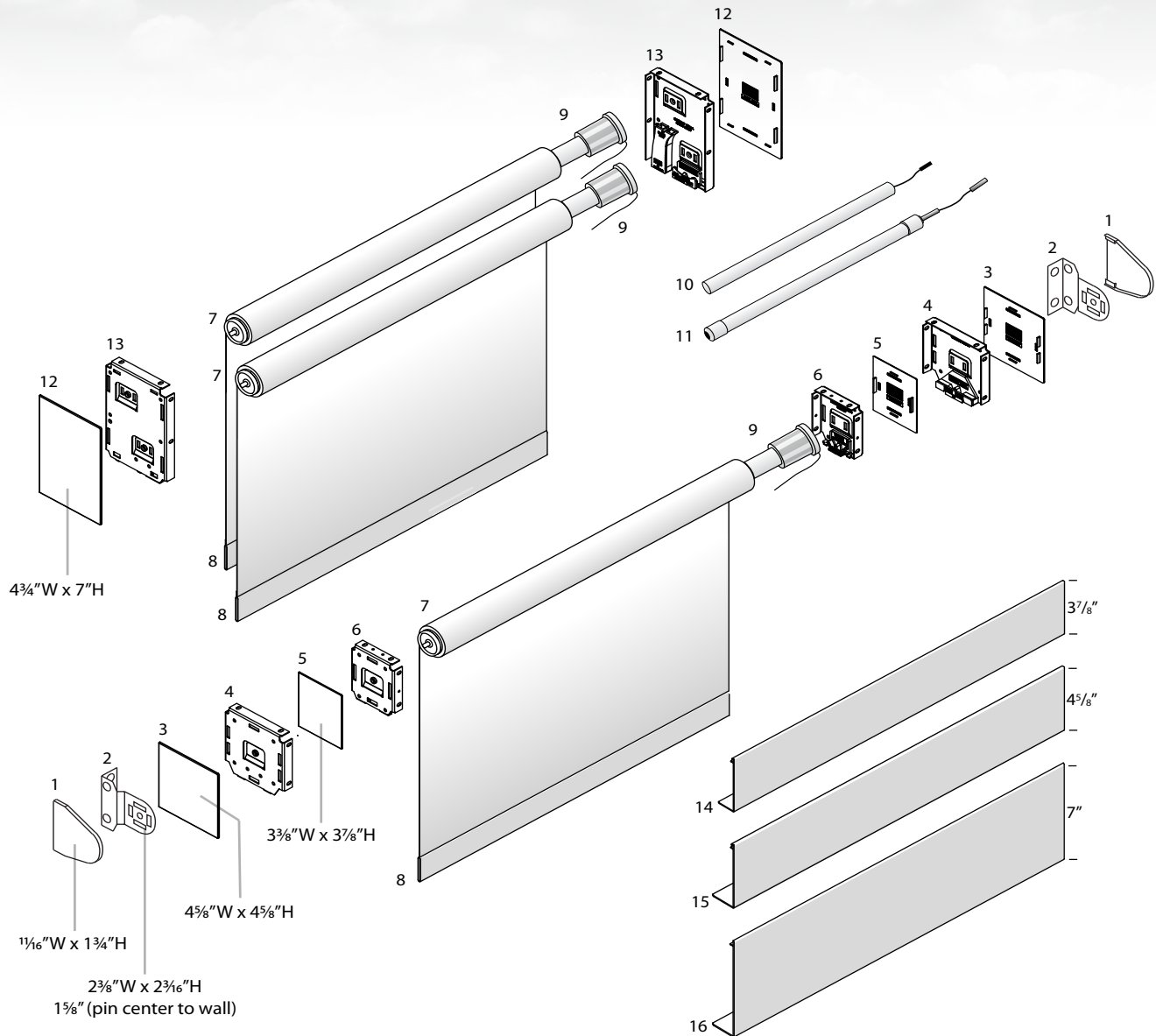


Motorized FlexShade (with Battery or 24V Motor)



NOTE: Draper does not provide fasteners. Franchise is to select fasteners that are appropriate to the installation.

Components

- | | | |
|---|--------------------------------------|--|
| 1. Optional Bracket Cover (white), \$2 each | 7. Idler End | 13. Dual Roller Endcap |
| 2. Universal Mounting Bracket | 8. Slat Bar—2 1/8" Sealed Hem Pocket | 14. Aluminum Fascia Panel (square or radius) |
| 3. Large Plastic Endcap Cover | 9. Battery/24V Motor End | 15. Large Aluminum Fascia Panel |
| 4. Large Endcap | 10. 12V Battery Wand | 16. Dual Roller Aluminum Fascia Panel |
| 5. Plastic Endcap Cover | 11. Reloadable AA Battery Wand | |
| 6. Endcap | 12. Dual Roller Endcap Cover | |