

72" x 42" EZ Strut Bank Rectangular Glass EZ Fold® Basketball Backboard - 503138

SUBMITTAL TECHNICAL SPECIFICATIONS

Specifications

Product Description

503138 Backboard shall be 72" x 42" to meet all NCAA, NFHS, and professional requirements, for use with Wall-Mounted, Double-Drop and other four-corner mount backstops.

Backboard frame of a heavy, brushed aluminum extrusion for maximum durability. Extended frame section of high tensile aluminum (6063-T5). Ends of the frame extrusions mitered and fitted with a flush, plated steel gusset type mounting bracket on all four corners, incorporating key hole slots for mounting the backboard to the support structure at standard mounting centers. Frame shall include a vertical center strut to transmit undue loading during slam-dunks, etc. directly through the glass and into the strut frame to alleviate stress on the glass. Goal mounting structure of a heavy, formed steel assembly which is secured to the lower horizontal frame member to minimize shock to the glass. Special steel sleeves provided at the goal mounting hole locations to secure rear structure to front mounting plate to form a unitized assembly to minimize shock to the glass. Entire frame including goal mounting structure fitted with a shock absorbing neoprene material to cushion and protect the glass section. Glass 1/2" thick, fully tempered (heat-treated) glass section with uniform load and impact strength. Glass is tempered to meet ASTM C1048, ANSI Standard Z97.1 Class A and CPSC standard 16 CFR 1201 Category II. Glass also tested to conform with requirements FIBA rule 2.8 - Rigidity Test for Backboard Tempered Safety Glass. Official white border and target area is "fired in" permanently on front side of glass section so that it cannot wear away. Goal mounting holes (4) to be standard 5" (horizontal) x 4" (vertical) mounting centers. 503127 is not compatible with a direct goal attachment.

Lifetime Limited Warranty

Backboard shall be covered by a Lifetime Limited Warranty when installed on a Draper EZ Fold basketball backstop with Goal Brace or Direct Mount Height Adjuster. Contact Draper to request full warranty text.

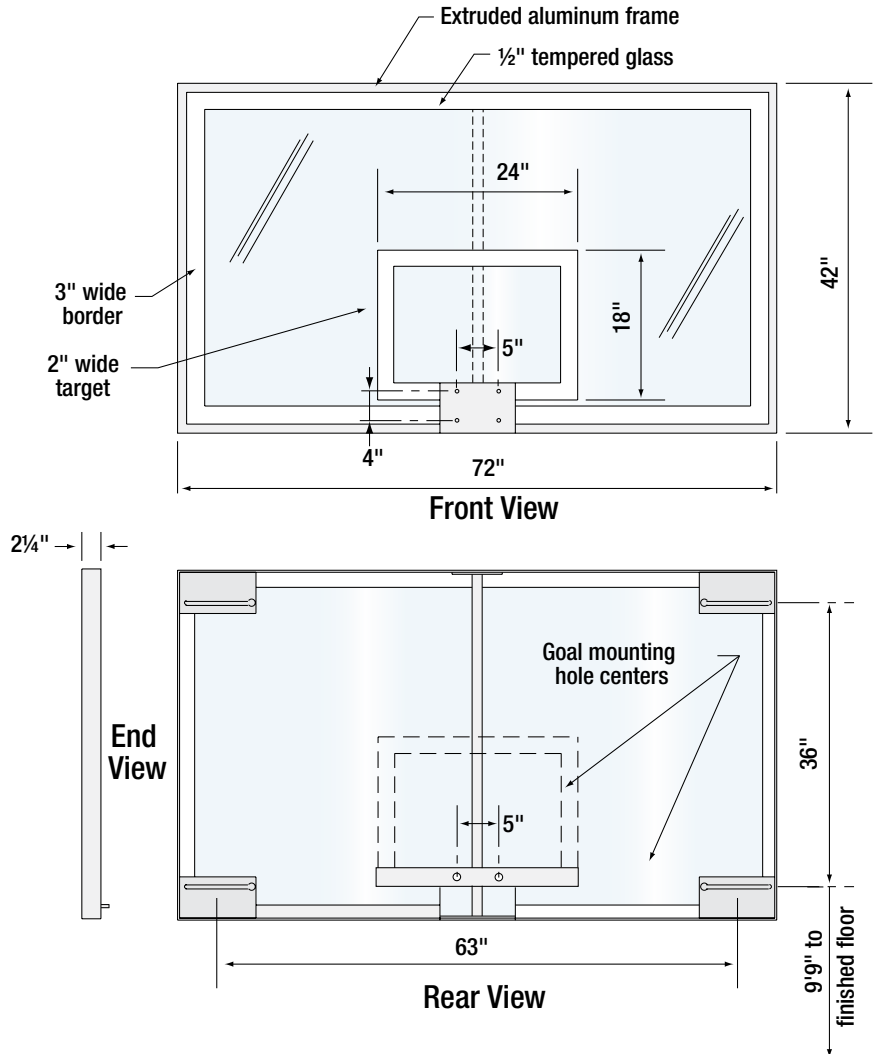
Optional - 5032XX Backboard Safety Padding

Molding process produces a super tough "skin" on the outside of the foam padding for long life. Pre-molded square corners for improved player safety. Molded-in steel track and bolt-on attachment system eliminate frustrating regluing or taping. Fits all official rectangular glass backboards.

Meets or exceeds all NCAA and High School Federation specifications. Available in NCAA-approved gray color. Also available in Dark/Royal Blue, Red/Scarlet, Navy, Marine/Columbia Blue, Kelly Green, Yellow/Gold, Forest Green, Orange, Purple, Black, and Maroon.

10-year warranty when installed indoors.

Product Dimensions



PROJECT: _____

ARCHITECT: _____

CONTRACTOR: _____

SUPPLIER: _____

DATE: _____ REVISED: _____