

54" x 39" Fan Fiberglass EZ Fold® Basketball Backboard - 503148

SUBMITTAL TECHNICAL SPECIFICATIONS

Specifications

Product Description

Backboard shall be the Draper Model 503148 fan-shaped fiberglass by Draper, Inc. Spiceland, IN. 503148 backboard is official 54" x 39" x 1½" fan shaped with permanently silk screened 2" wide orange perimeter and target area markings. Backboard is molded from fiberglass with a tensile strength of approximately 10,000 PSI and with approximately 25% fiberglass content by weight. Backboard has structural ribs and a heavy outer flange to provide maximum rigidity. Backboard is completely weatherproof for indoor or outdoor use in all climates. Backboard has eight (8) ¾"-16 x 1" deep molded in threaded steel inserts that are located for standard fan backboard (20" h x 35" w) mounting. Factory drilled goal mounting holes (4) will accept standard 5" (horizontal) x 5" (vertical) goal mounting.

Lifetime Limited Warranty

Backboard shall be covered by a Lifetime Limited Warranty when installed on a Draper EZ Fold basketball backstop with Goal Brace or Direct Mount Height Adjuster. Contact Draper to request full warranty text.

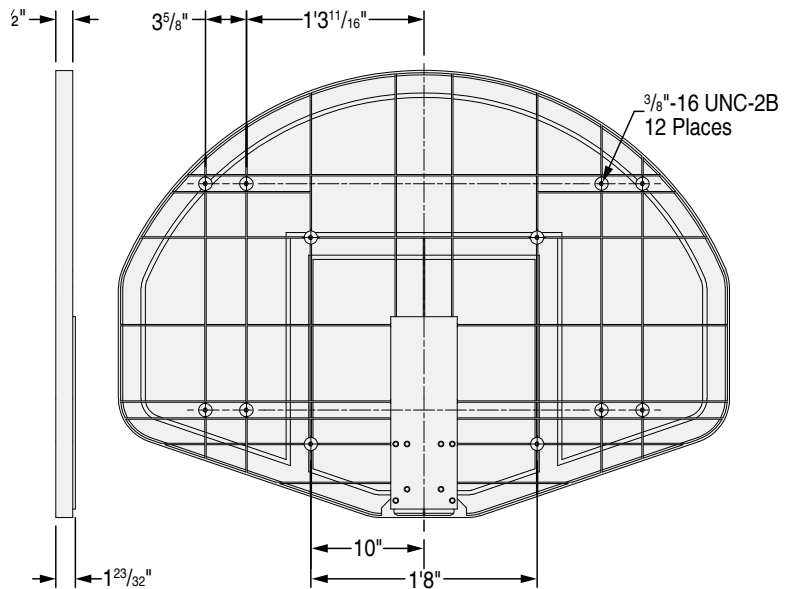
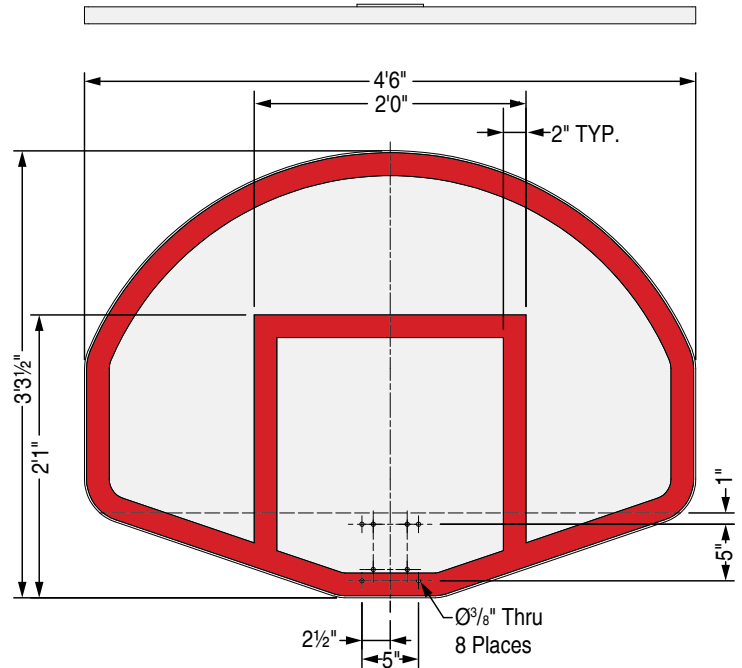
Optional - 503253 Backboard Safety Padding

Padding to protect bottom and 15" up each side of the backboard meets all NCAA, NFHS and professional rule requirements. Padding is made of a durable neutral gray, open cell foam material providing full 2" thickness from the bottom and sides of backboard frame. Front and back surfaces of backboard frame are further protected by a 1" thick lip extending ¾" up from bottom and sides of backboard.

Padding is secured to the backboard frame by easily applied high strength glue. Glue and brush provided. This pad is for use with all rectangular shaped glass, wood, fiberglass and steel backboards.

10-year warranty when installed indoors.

Product Dimensions



PROJECT: _____

ARCHITECT: _____

CONTRACTOR: _____

SUPPLIER: _____

DATE: _____ REVISED: _____