

BASKETBALL BACKSTOPS TF-20S / TF-20S-B

CEILING-SUSPENDED, FORWARD-FOLDING, FRONT BRACED



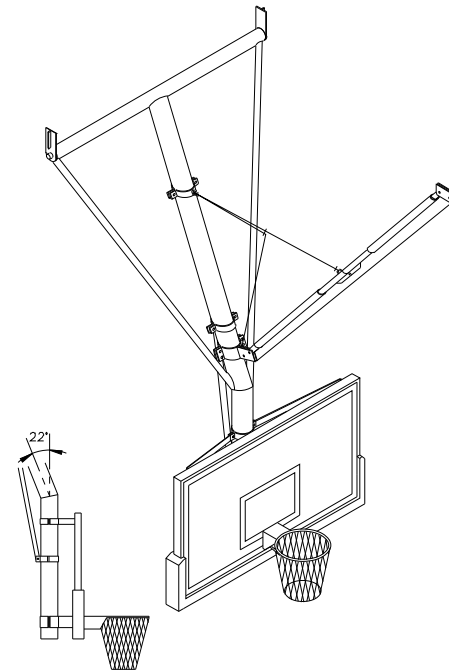
- Provides great stability at tall heights, the TF-20S Basketball Backstop's bent stem reduces space between pivot point and jackknife to assist in avoiding obstructions. Backstops are custom designed so the lateral sway brace intersects the main mast at approximately 54" (1.37 m) above the goal and 18" (45.7 cm) above the backboard to ensure maximum rigidity.

FEATURES:

- Fully-welded construction to attachment heights up to 27' 7" (8.41 m).
- **TF-20S-B** Bolt-together construction for ceilings over 27' 7" (8.41 m).
- Electric winch required for installations over 27' 7" (8.41 m).
- Aut-O-Loc 2 Safety Straps recommended for added protection for players and spectators.
- OPTIONS:
 - Frames have black or white powder coat finish; other color options available.

OPTIONS:

- Frames have black or white powder coat finish; other color options available.



SUPPORTING DOCUMENTS

Access dimensions, specifications, instructions, technical drawings and other supporting documents located at:
draperinc.com/documents.aspx

For more information on this product visit:
draperinc.com/gymequipment/basketballbackstops.aspx

