

Side Lifting Multi-Sport Practice Cage

by **DRAPER**

Specifications—Side Lifting Multi-Sport Practice Cage

GENERAL: Cage shall be _____ H x _____ W x _____ L (standard: 10'0" high x 12'0" wide x 70'0" long), complete with frame, net, cables, and electric winch for lowering to floor when in use and raising to underside of roof structure for storage.

I. FRAME

- Frame of cage to be constructed of 1⁵/₈" x .109 wall tubing.
- Fittings to be malleable iron galvanized with case hardened set screws.

II. OPERATION

- Winch to rotate drive pipe shall consist of a 3/4 H.P., 110-120 volt, 60 cycle, single-phase reversible capacitor motor with built-in thermal overload protection. Remote control winch operation includes integral limit switch for upper and lower limit of the cage travel. Key lock, three-position, momentary contact wall switch included. Switch unit shall include a polished wall plate.
- Netting and support frame shall be lifted by 1/8" diameter (7 x 19) galvanized aircraft cable with a breaking strength of 2,100 lbs.
- 2³/₈" Drive pipe to be located above one side of cage and there shall be swivel pulley assemblies to guide lifting cables along other side of cage.

III. NETTING

- Four sides and top of cage shall be 3/4" square, knotless nylon mesh in choice of white (standard) or black.
- 3/8" polypropylene rope shall be sewn into the perimeter of each section of netting.
- Two corners of cage shall be sewn together; two shall be secured using zippers, allowing one long side wall to be raised individually.
- Netting shall be of sufficient length to allow approximately 12' to rest on floor to prevent balls from going under net.
- Netting shall be suitable for use with baseball, softball and golf.

Please Fill In Following Measurements: (See back page)

Height from Bottom of Beam to Top of Finished Floor: _____

Distance Between Beams: _____

Slope: _____

Width of Beams: _____

Practice Cage Placement:

- Parallel to Roof Beams
- Centered Between Two Beams
- Centered Directly Beneath Beams
- Perpendicular to Roof Beams

Netting Color:

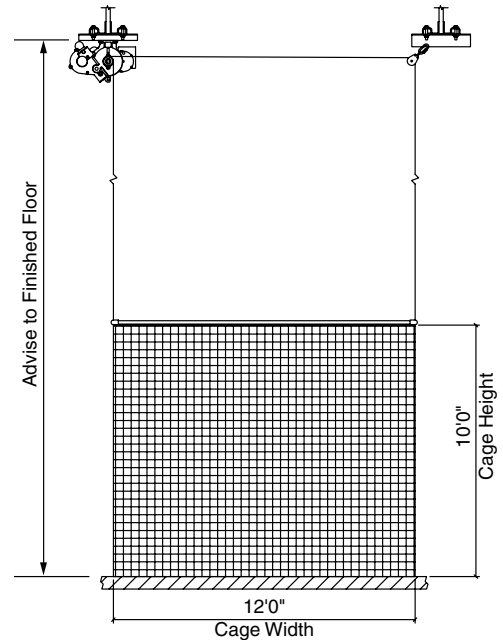
- White (standard)
- Black

Options

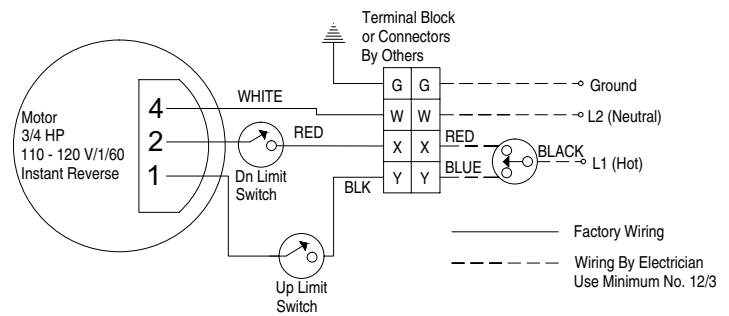
- Wireless Remote Control (see separate sheet)
- EZ Pad Group Control System (see separate sheet)
- Smart Gym Wall Touch Pad Control (see separate sheet)

Section Drawing

Shown Directly under continuous beam



Wiring Diagram



Circuit breaker rated amp. 20 amp.
Fused circuit rated amp. 20 amp.
Minimum Wire Size
90' maximum run..... 12 ga.
90' to 140' run..... 10 ga.
Over 140'..... 8 ga.
Sizes of wall masonry boxes required for single and ganged key switches-- All boxes 2" (w) x 3 ³ / ₄ " (h) x 2 ¹ / ₂ " (d).

DRAPER

411 S. Pearl St., Spiceland, IN 47385 USA ■ 765-987-7999 ■ fax 866-637-5611
e-mail drapercontract@draperinc.com ■ www.draperinc.com

Copyright © 2015 Draper Inc. Form PSCG_SideLiftingPracticeCage_Sub15 Printed in U.S.A.

PROJECT: _____

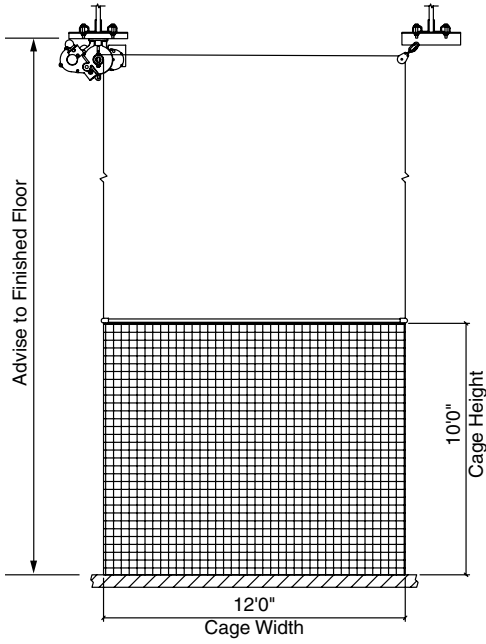
ARCHITECT: _____

CONTRACTOR: _____

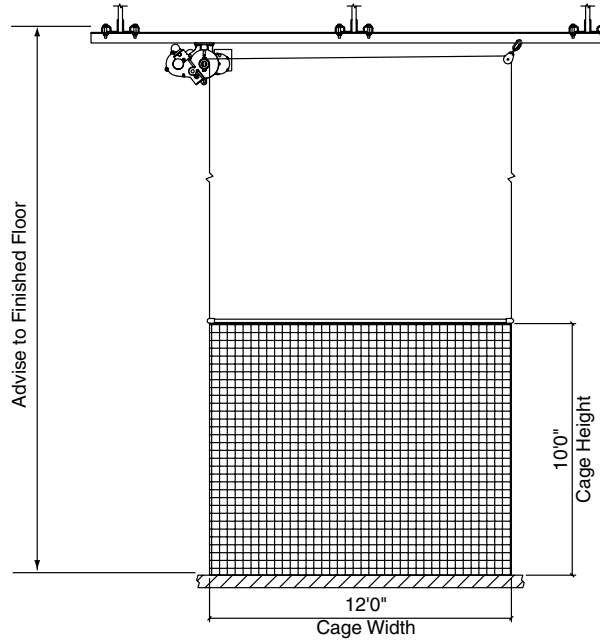
SUPPLIER: _____

DATE: _____ REVISED: _____

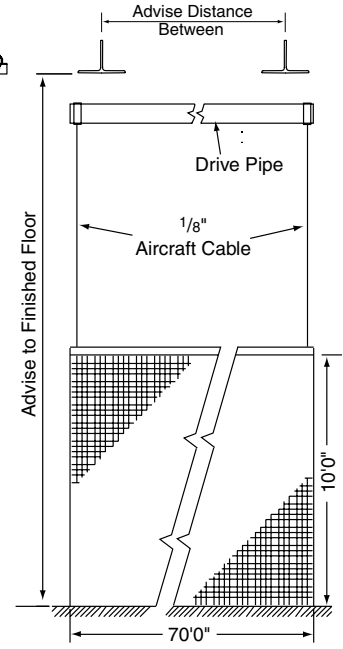
*Parallel Installation
(Directly Beneath Beam) (Typ.)*



*Parallel Installation
(Between Beams)*



Perpendicular Installation



NOTES:

SKETCH:

A large grid for sketching, consisting of 20 columns and 20 rows of squares.