

4

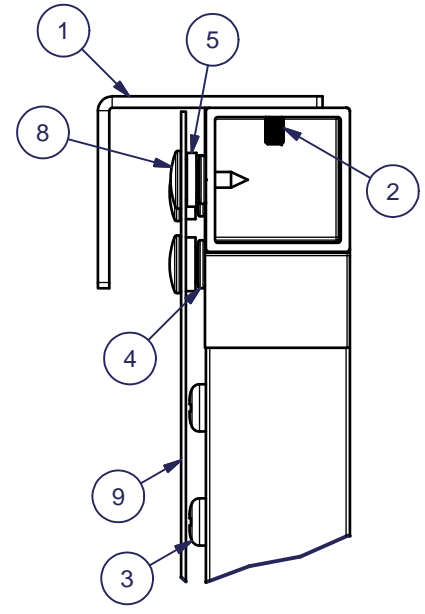
3

2

1

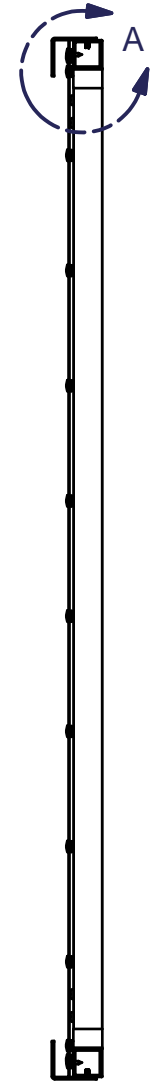
ITEM	QTY	PART NUMBER	DESCRIPTION
1	4	C002.080.01SA	WALL BRACKET - CLARION REAR PROJ.
2	8	C020.173	SCREW #10 X 1/2" PHIL FL HD 82 DEG "AB" BLACK OXIDE
3	16	C020.187	SCREW, 1/4-20 X 5/8 PHILLIPS PAN HEAD BLACK MACHINE
4	Varies	C021.001_A	STUD #8 X .375" SS SCREW SNAP 93-X8-103934-2A
5	Varies	C036.006	SOCKET BLACK STD. ACTION SNAP
6	4	C073.002.01	1.500" SQUARE TUBE EXTRUSION
7	4	C098.017	CORNER CONNECTOR, CLARION
8	Varies	C151.006	CAP BLACK BUTTON SNAP
9	1	Shadowbox Screen	Screen Fabric

B

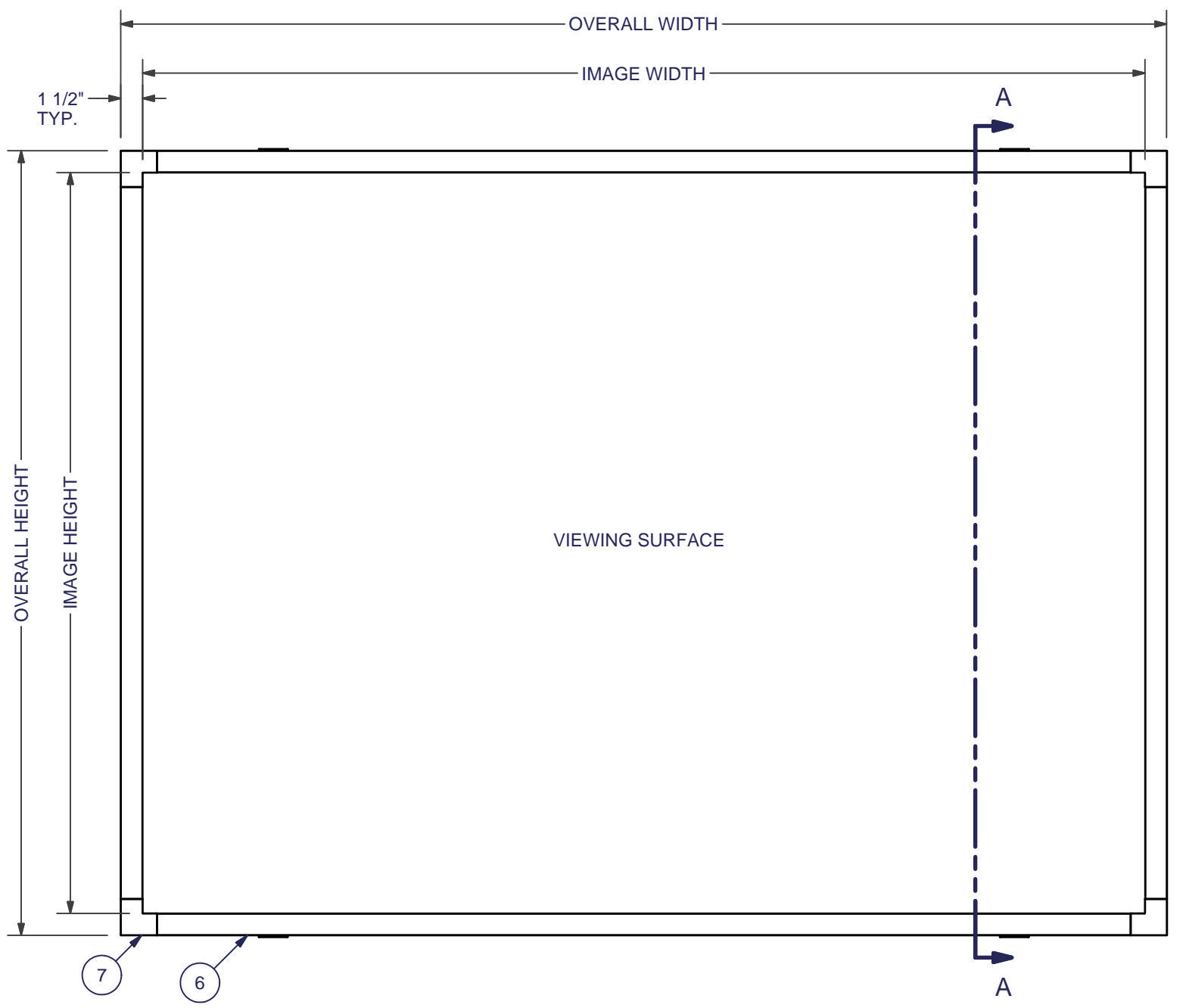


DETAIL A

2 5/8"



SECTION A-A



1 1/2" TYP.

VIEWING SURFACE

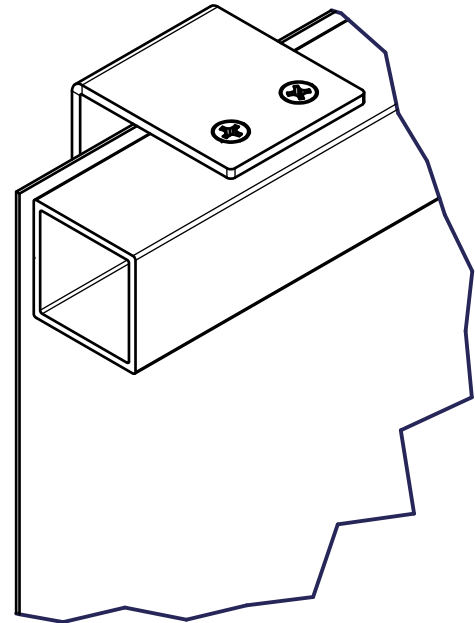
7

6

A

A

A




ISOMETRIC DETAIL A

4

3

2

1

<u>TOLERANCES UNLESS NOTED</u> 2 PLC. DECIMAL: ±.01" 3 PLC. DECIMAL: ±.005" ANGULAR: ±1° FRACTIONAL: ±1/32"	DESIGNED BY: jblasdel	3/4/2013	 DRAPER, INC. 411 S. PEARL STREET SPICELAND, INDIANA 47385-0425 www.draperinc.com
	DRAWN BY: jblasdel		
	CHECKED BY:		
	MFG APPD BY:		
PROPRIETARY DRAWING NOTICE: THIS DOCUMENT CONTAINS CONFIDENTIAL, PROPRIETARY INFORMATION OF DRAPER, INC., IS THE PROPERTY OF DRAPER, INC., AND MUST BE RETURNED UPON REQUEST. NEITHER RECEIPT NOR POSSESSION THEREOF CONFERS ANY RIGHT TO OWN, REPRODUCE, USE, OR DISCLOSE IN WHOLE OR IN PART, ANY SUCH INFORMATION WITHOUT WRITTEN AUTHORIZATION FROM DRAPER, INC.			TITLE: Shadowbox Clarion
MATERIAL:			PAPER SIZE: B
SCALE:			FINISH: REV: SHEET: 1 OF: 1 DWG NO. - PART NO. Shadowbox Clarion