

FlexStyle® Cassette Ascend

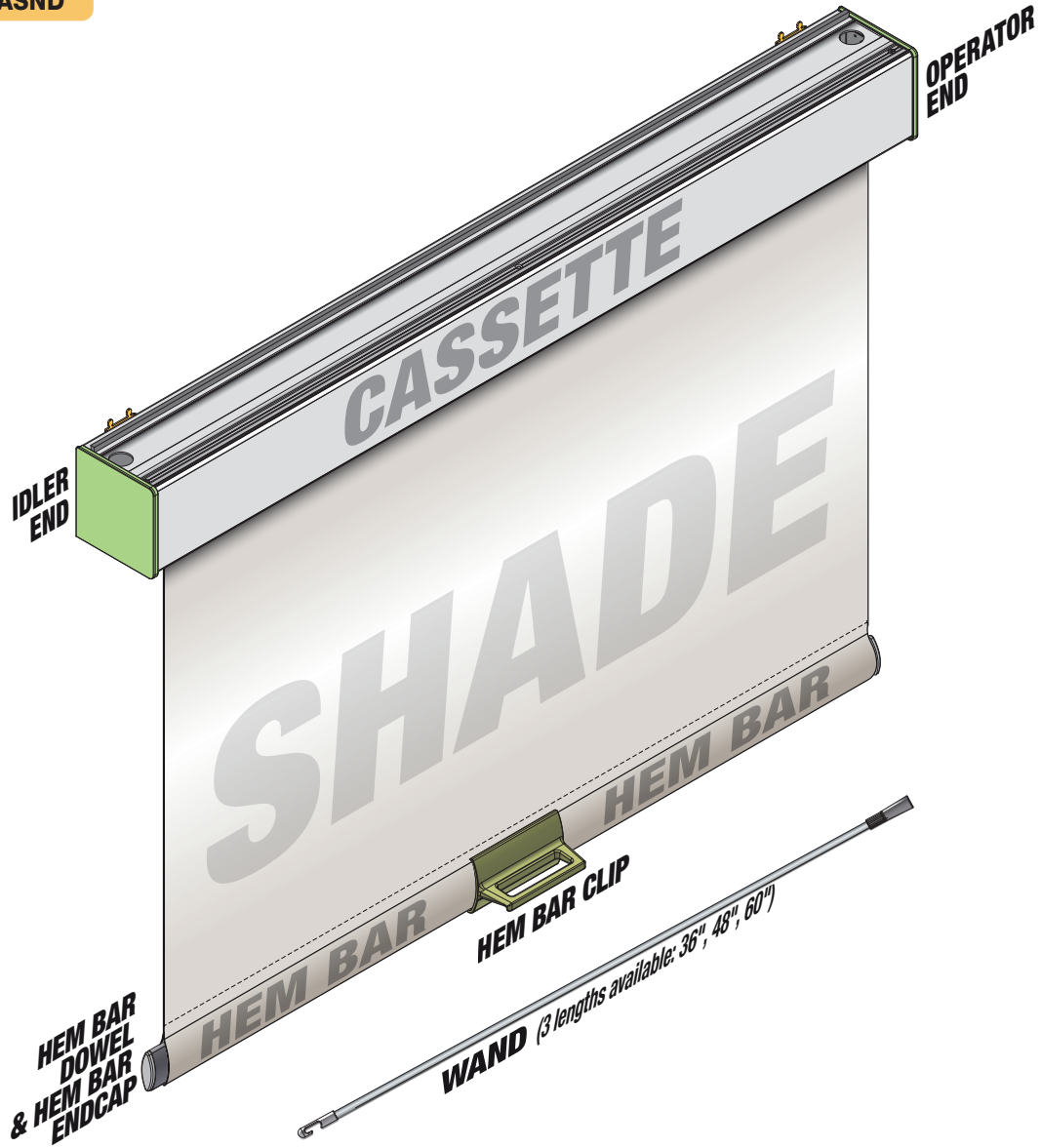
Cordless operated cassette style shade



INSTRUCTIONS INSTALLATION & OPERATION

Overview - **Components** (Square Cassette, Elliptical Style Hem Bar shown)

FSTYL CASS ASND



TOOLS REQUIRED

- PENCIL
- TAPE MEASURE
- LEVEL
- POWER DRILL
- PLIERS
- HARDWARE (by others)

CAUTION

Read and understand all warnings before beginning installation.

Contents

Overview - Components	1	Section 4 - Hem Bar Handle	5
PLEASE READ - Important Safety & Installation Information	2	Section 5 - Adjusting Shade Tension	5
PLEASE READ - Field Adjustments, Cleaning and Maintenance	2	Section 6 - Shade Operation	6
Section 1 - Installing Mounting Brackets	3	Section 7 - Cassette Dimensions	7
Section 2 - Wall Mounting Shade	4	Section 8 - Shade Dimensions	8
Section 3 - Ceiling Mounting Shade	4		

If you have any difficulties installing or servicing your FlexStyle Cassette Ascend, call your dealer or Draper, Inc.

PLEASE READ - Important Installation Information

⚠ Caution:

1. Inspect all boxes to make sure you have received the proper shades and parts. Controls may be shipped separately, or in same carton as shades.
2. Open cartons lengthwise, taking care not to cut into cardboard shipping container.
3. Before mounting shades, verify measurements on label provided with shade, and ensure unit is installed at correct width.
4. All hardware must be installed level. Shades must be level and square.
5. **Read the following installation guidelines thoroughly and follow them carefully. Failure to do so may cause product to fall or otherwise fail, and invalidates warranty.**
6. **Installer is responsible for selecting mounting hardware appropriate for site conditions.**

PLEASE READ - Safety Information

Important Safety Information



Important Safety Information

Improper installation and use of the FlexStyle™ Cassette Ascend can result in serious injury or death. Primarily, injuries can occur if the unit falls due to imprecise installation, mishandling of the unit during installation, or installation on an insufficient wall or ceiling structure. Please use extreme care.

1. Please read the following installation guidelines thoroughly and follow them carefully. Failure to do so may cause product to fall or otherwise fail, and could result in serious injury.
2. Installation and calibration of the shade should only be performed by an authorized, qualified, and experienced professional.
3. Do not affix the unit to wall or ceilings that have inadequate strength to permanently hold the unit during use. It is the owner's and installer's responsibility to confirm the wall or ceiling to which the unit attaches is sufficient to permanently hold the weight and stress loads of the unit at all times. Draper®, Inc., is not responsible for improper installation, application, testing, or workmanship related to the product at place of installation.
4. It is the installer's responsibility to make sure appropriate fasteners are used for mounting.
5. All brackets and other hardware must be installed level. Shade unit must be level and square.
6. Before testing or operation, carefully inspect the entire area and path of the shade and areas underneath the shade to be sure no persons or objects are in the area.
7. During testing or operation, carefully watch the surrounding area for any potential safety concerns including nearby persons or objects.
8. After installation, the entire system should be carefully tested to ensure safe and normal operation. Extreme care should be taken during testing to remain clear of moving parts to avoid possible injury.
9. Operation of shade should be performed only by authorized and qualified personnel, who have been trained in the safe and effective operation of the shade and understand its safety features.
10. The safety features of the shade should never be disabled, bypassed, or overridden. The system should not be operated until all safety features are properly and completely installed, calibrated, and tested.
11. Shade may need to comply with local, state, or district rules and regulations, in particular when installed in schools. All applicable rules and regulations should be reviewed before installation and use.
12. Failure to precisely follow installation guidelines invalidates all warranties.
13. Custom products/installations may not be reflected in this manual. Call Draper, Inc., if you have questions regarding your installation.

Before Beginning Installation

1. Look for any job site conditions that could interfere with installation or operation of the system.
2. Read carefully and be sure to understand all installation instructions and all related operations manuals. These instructions are intended to serve as a guide for the installer and owner. They should be followed closely and combined with the expertise of experienced qualified installers. Draper, Inc., is not responsible for improper installation, application, testing, or workmanship related to the product at place of installation. Please retain all instructions for future use.
3. Open cartons lengthwise, taking care not to cut into cardboard shipping container.
4. Locate and lay out all pieces.
5. Inspect all boxes to make sure you have received the proper shade and parts. Controls may be shipped separately, or in same carton as shade.
6. If you have any difficulties with installing, servicing, or operating your shade, call your dealer or Draper, Inc., 765-987-7999.

PLEASE READ - Field Adjustments

Each Draper Shade is tested to ensure proper operation. Even with this testing, some field adjustments may be needed for telescoping.

If the shade is telescoping, place a piece of shimming fabric into the fabric roll when the shade is deployed on the side that the fabric will be drawn toward. For example: if the fabric is tracking to the left, place the shimming fabric on the right side.

PLEASE READ - Cleaning and Maintenance

Window covering products manufactured by Draper, when properly installed, should require no operational maintenance or lubrication.

Most standard Draper fabrics may be cleaned at the window by vacuuming with a soft brush attachment. They also may be cleaned by using a sponge or soft cloth and mild solution of warm soapy water. A mild dishwashing liquid is recommended. A clean dry cloth is recommended for the metal finish.

Please Note: Exceptions are GreenScreen Evolve®, GreenScreen Revive®, and Phifer® SW7000 fabrics, which must be cleaned with a dry art sponge.
(GreenScreen Revive® and GreenScreen Evolve® are registered trademarks of Mermet® USA. SheerWeave® is a registered trademark of Phifer® Incorporated.)

Section 1 - Installing Mounting Brackets

IMPORTANT: Mounting Brackets must be installed parallel, plumb, and square, with a tolerance of +/- 1/8" (3mm). Verify unit measurements and ensure unit will fit in the desired location.

Please Note: Installer is responsible for selecting mounting hardware appropriate for site conditions.

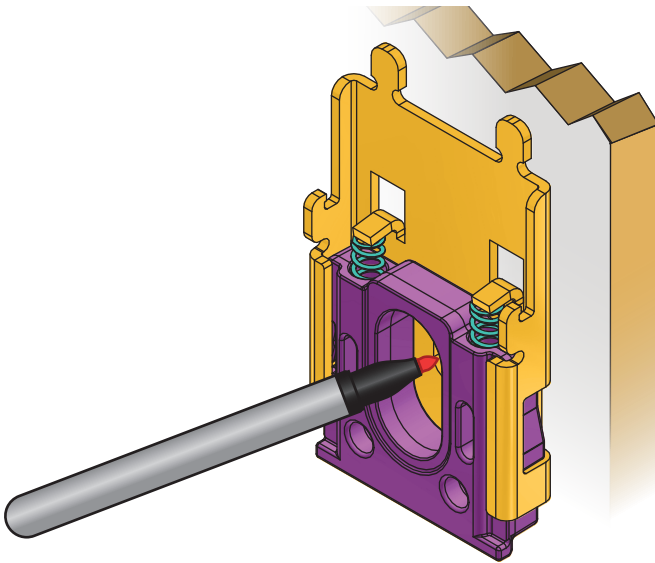
1. Mark wall, jamb, or ceiling for placement of mounting brackets. (*Idler Bracket shown.*)

Please Note:

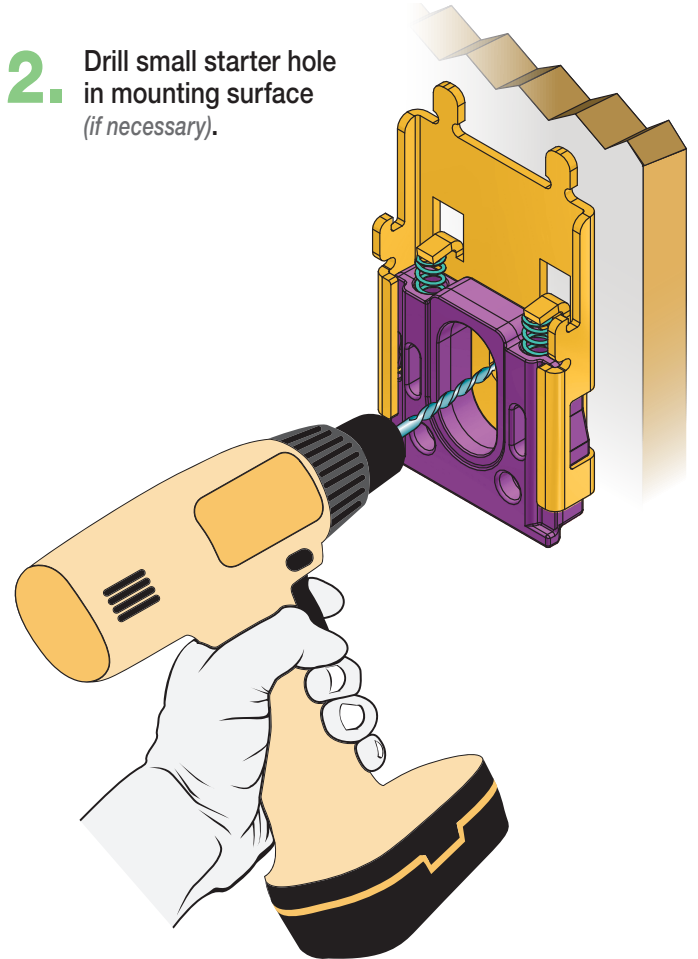
Brackets should be installed far enough from the ceiling (*wall mount*) or wall (*ceiling mount*) that the tabs on top of the brackets fit. Tabs may then be removed (*if desired*).

Please Note:

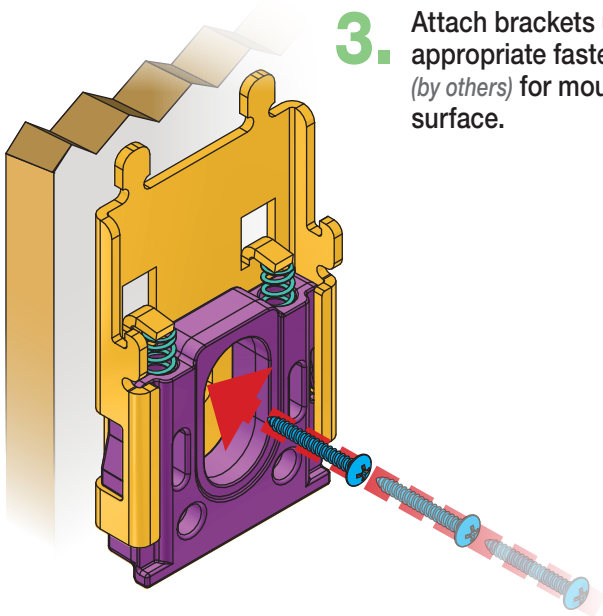
Brackets should be installed no more than 5" (127mm) in from ends of Cassette Assembly. If provided, center bracket should be mounted in center of the case.



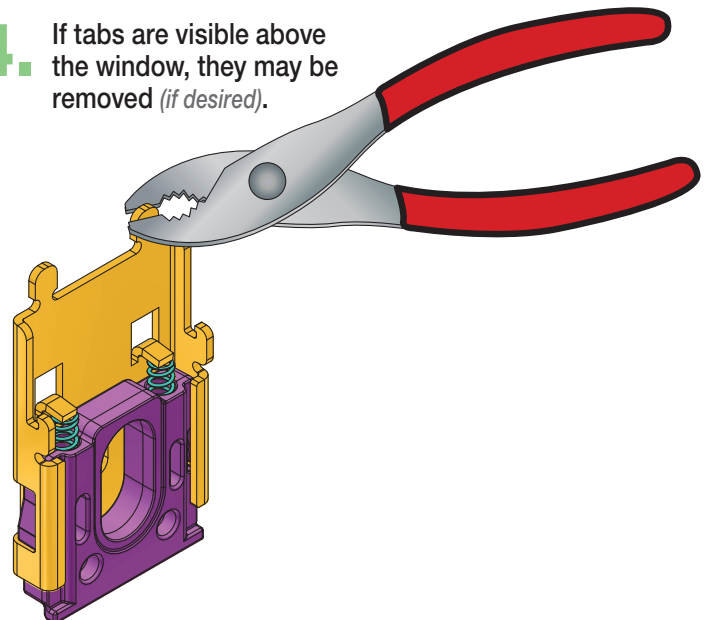
2. Drill small starter hole in mounting surface (*if necessary*).



3. Attach brackets using appropriate fasteners (*by others*) for mounting surface.



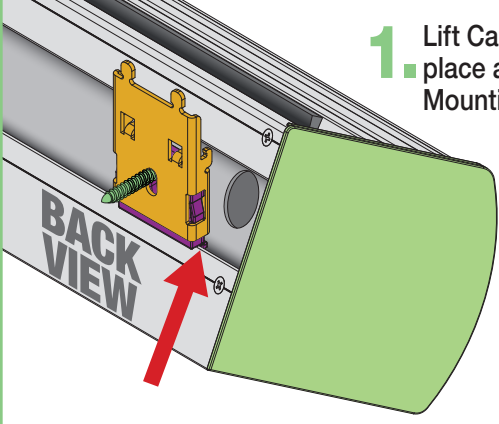
4. If tabs are visible above the window, they may be removed (*if desired*).



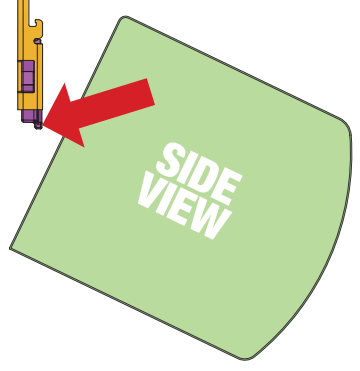
Section 2 - Wall Mounting Shade (Curved Cassette shown)

Please Note: Brackets should be installed no more than 5" (127mm) in from ends of Cassette Assembly. Install any remaining brackets evenly between the outermost brackets.

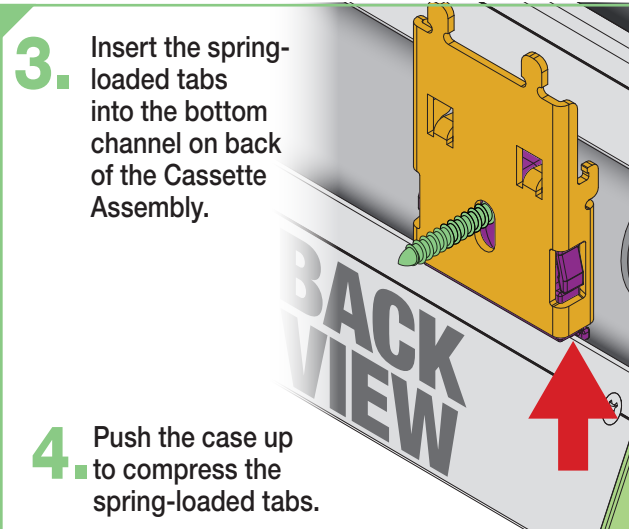
1. Lift Cassette Assembly into place and align between the Mounting Brackets.



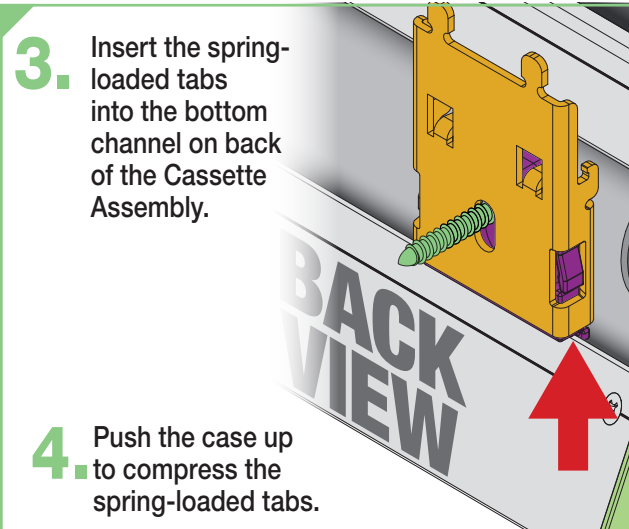
2. Tilt Cassette forward and depress spring-loaded tabs on the Mounting Brackets by pushing up with the bottom of the channel on back of the Cassette Assembly.



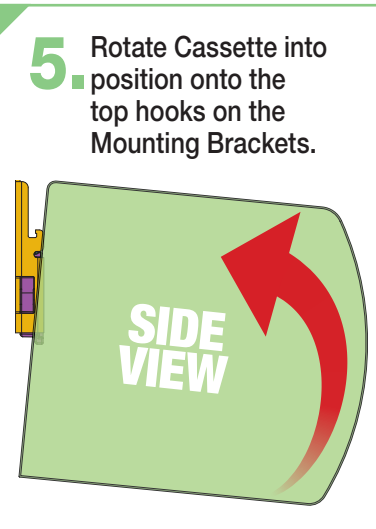
3. Insert the spring-loaded tabs into the bottom channel on back of the Cassette Assembly.



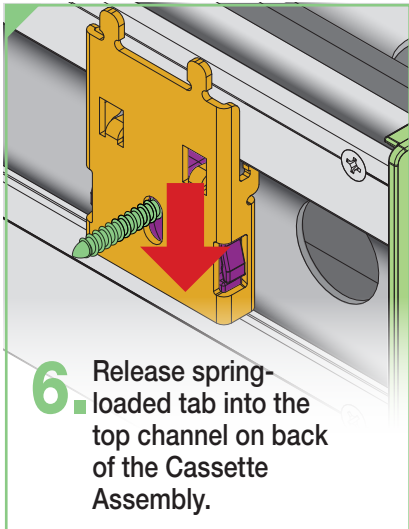
4. Push the case up to compress the spring-loaded tabs.



5. Rotate Cassette into position onto the top hooks on the Mounting Brackets.



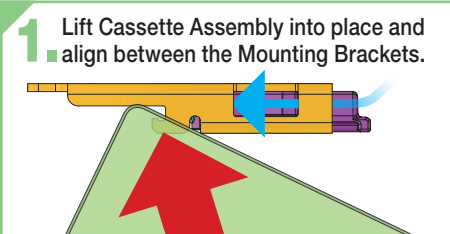
6. Release spring-loaded tab into the top channel on back of the Cassette Assembly.



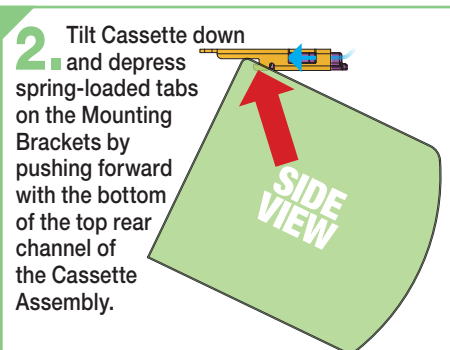
Section 3 - Ceiling Mounting Shade (Curved Cassette shown)

Please Note: Brackets should be installed no more than 5" (127mm) in from ends of Cassette Assembly. Install any remaining brackets evenly between the outermost brackets.

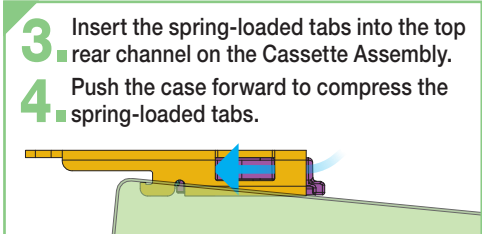
1. Lift Cassette Assembly into place and align between the Mounting Brackets.



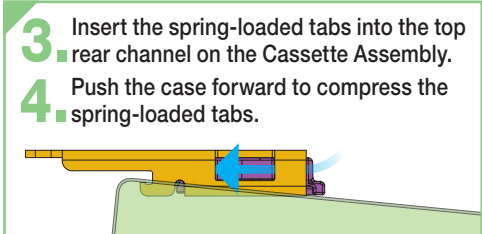
2. Tilt Cassette down and depress spring-loaded tabs on the Mounting Brackets by pushing forward with the bottom of the top rear channel of the Cassette Assembly.



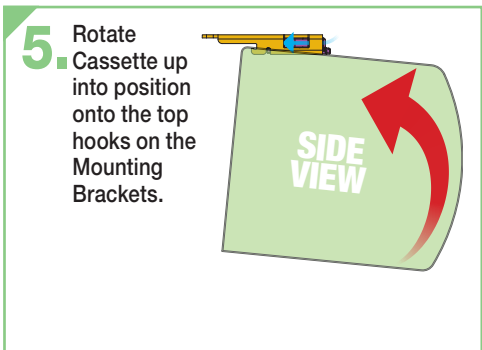
3. Insert the spring-loaded tabs into the top rear channel on the Cassette Assembly.



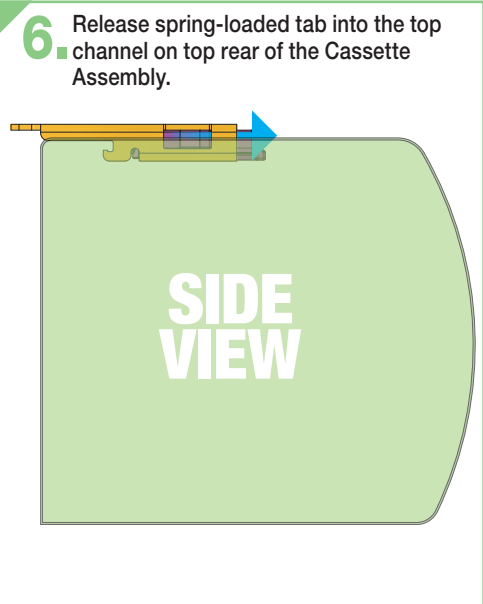
4. Push the case forward to compress the spring-loaded tabs.



5. Rotate Cassette up into position onto the top hooks on the Mounting Brackets.

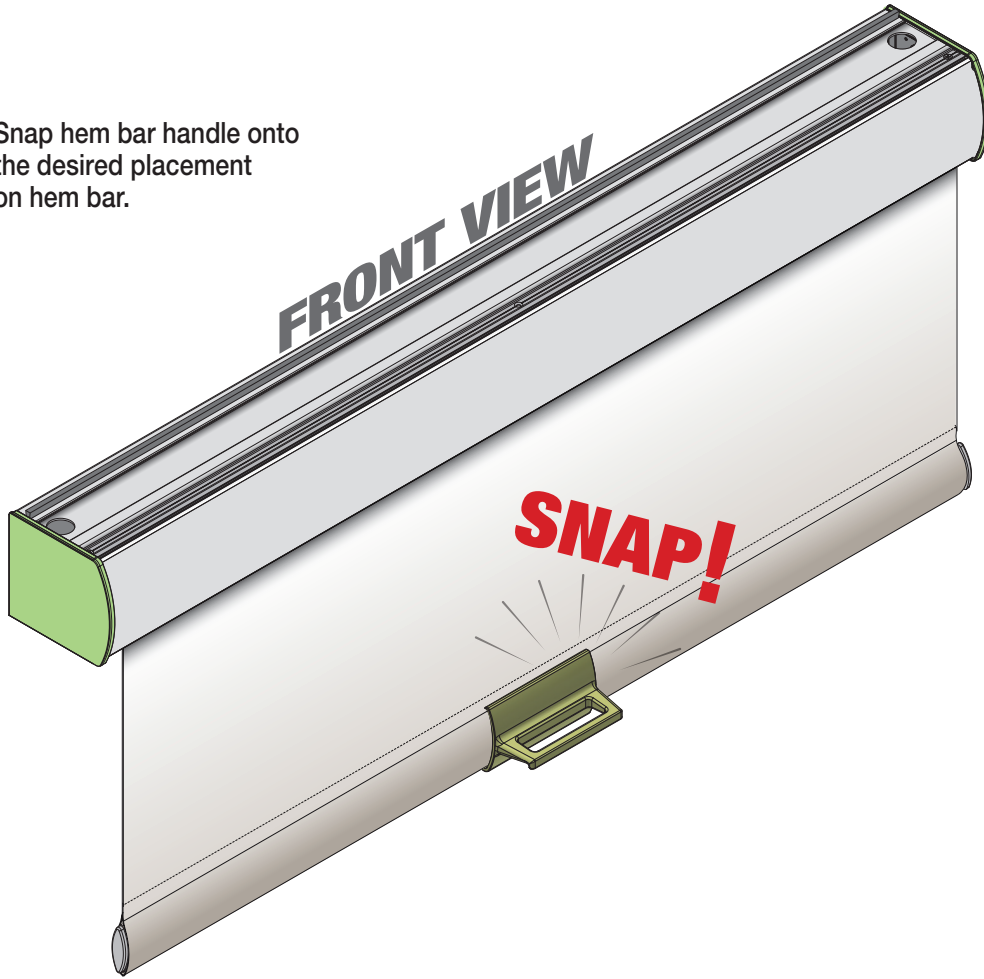


6. Release spring-loaded tab into the top channel on top rear of the Cassette Assembly.



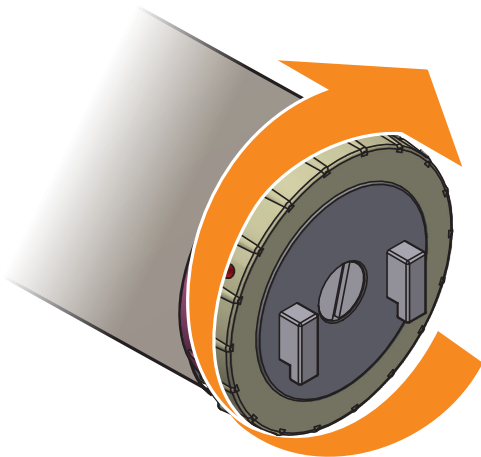
Section 4 - Hem Bar Handle

Snap hem bar handle onto the desired placement on hem bar.

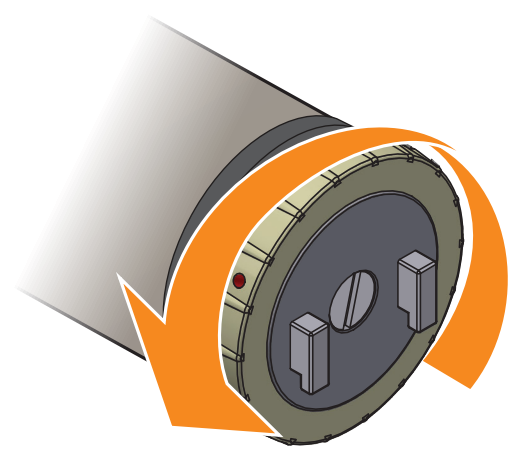


Section 5 - Adjusting Shade Tension

1. If shade does not stop but continues moving **UP**, adjust the spring force by turning adjuster ring **clockwise** for Standard installations, and **counter-clockwise** for Reverse Roll installations.



2. If shade does not stop but continues moving **DOWN**, adjust the spring force by turning adjuster ring **counter-clockwise** for Standard installations, and **clockwise** for Reverse Roll installations.



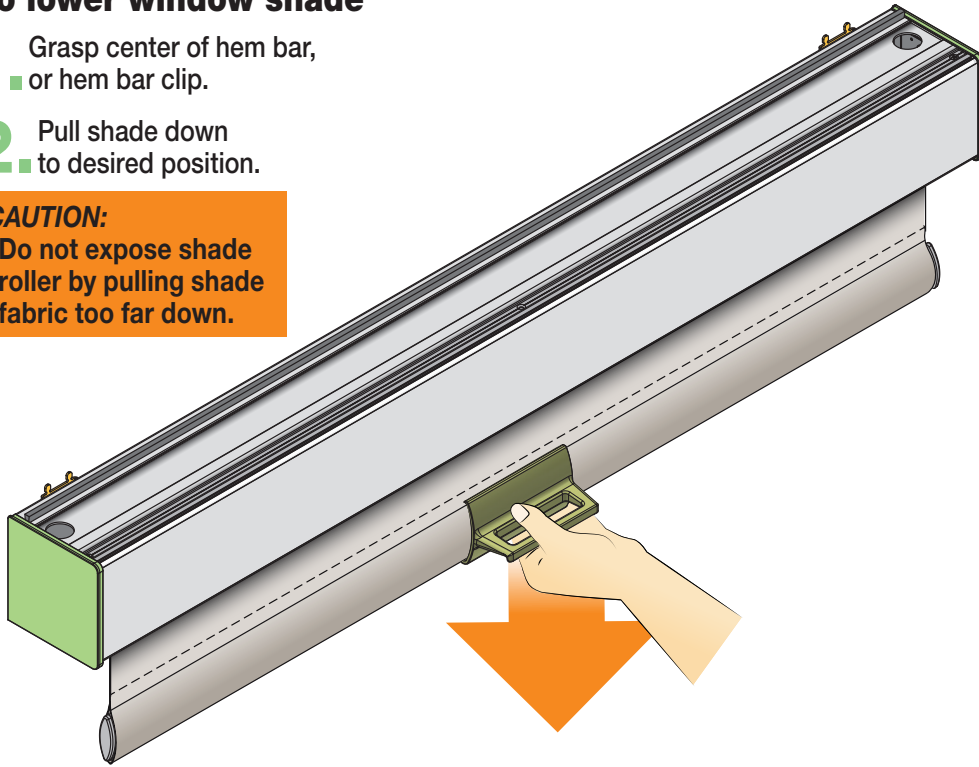
Section 6 - Shade Operation (Square Cassette shown)

To lower window shade

1. Grasp center of hem bar, or hem bar clip.
2. Pull shade down to desired position.

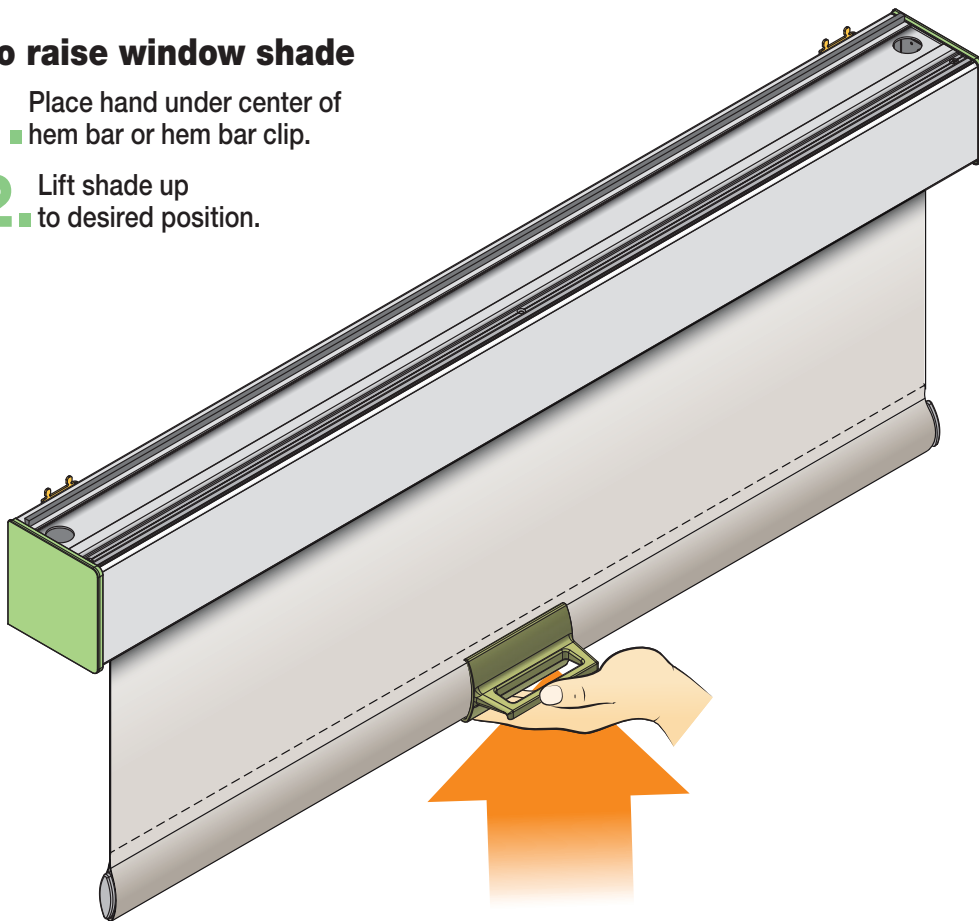
CAUTION:

Do not expose shade roller by pulling shade fabric too far down.



To raise window shade

1. Place hand under center of hem bar or hem bar clip.
2. Lift shade up to desired position.



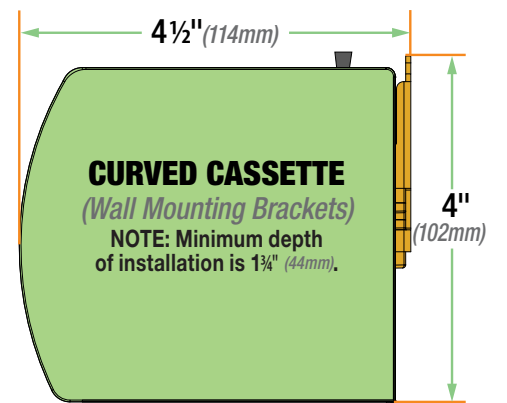
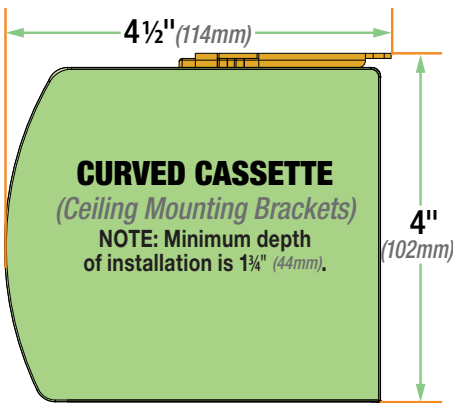
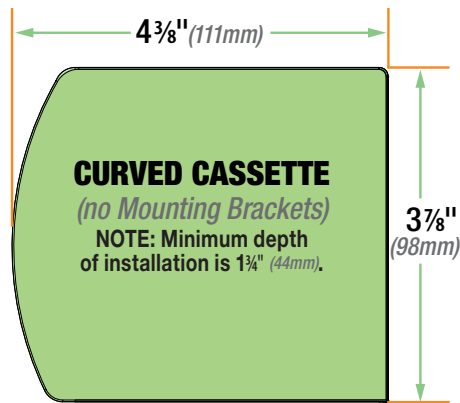
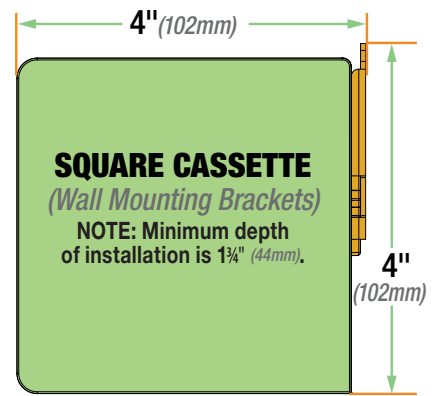
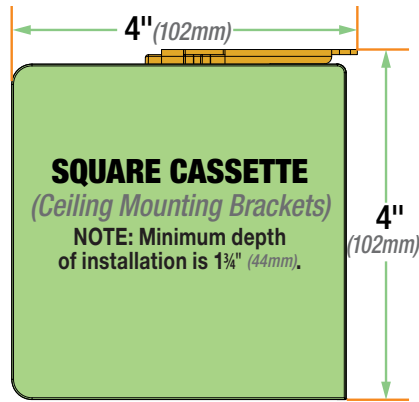
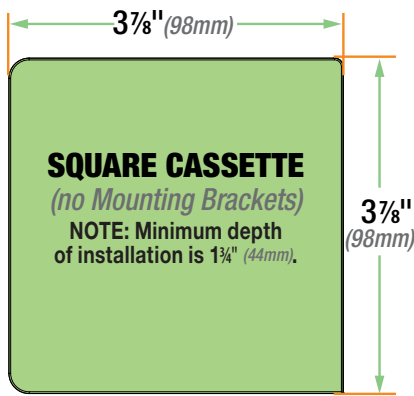
Pull-Down Wand

The Pull-Down Wand (Part Number C061.051) can be ordered separately to assist in raising and lowering shades installed in a less accessible manner.

Please Note: Available in 3 sizes: 36", 48", 60".



Section 7 - Cassette Dimensions



Section 8 - Shade Dimensions

