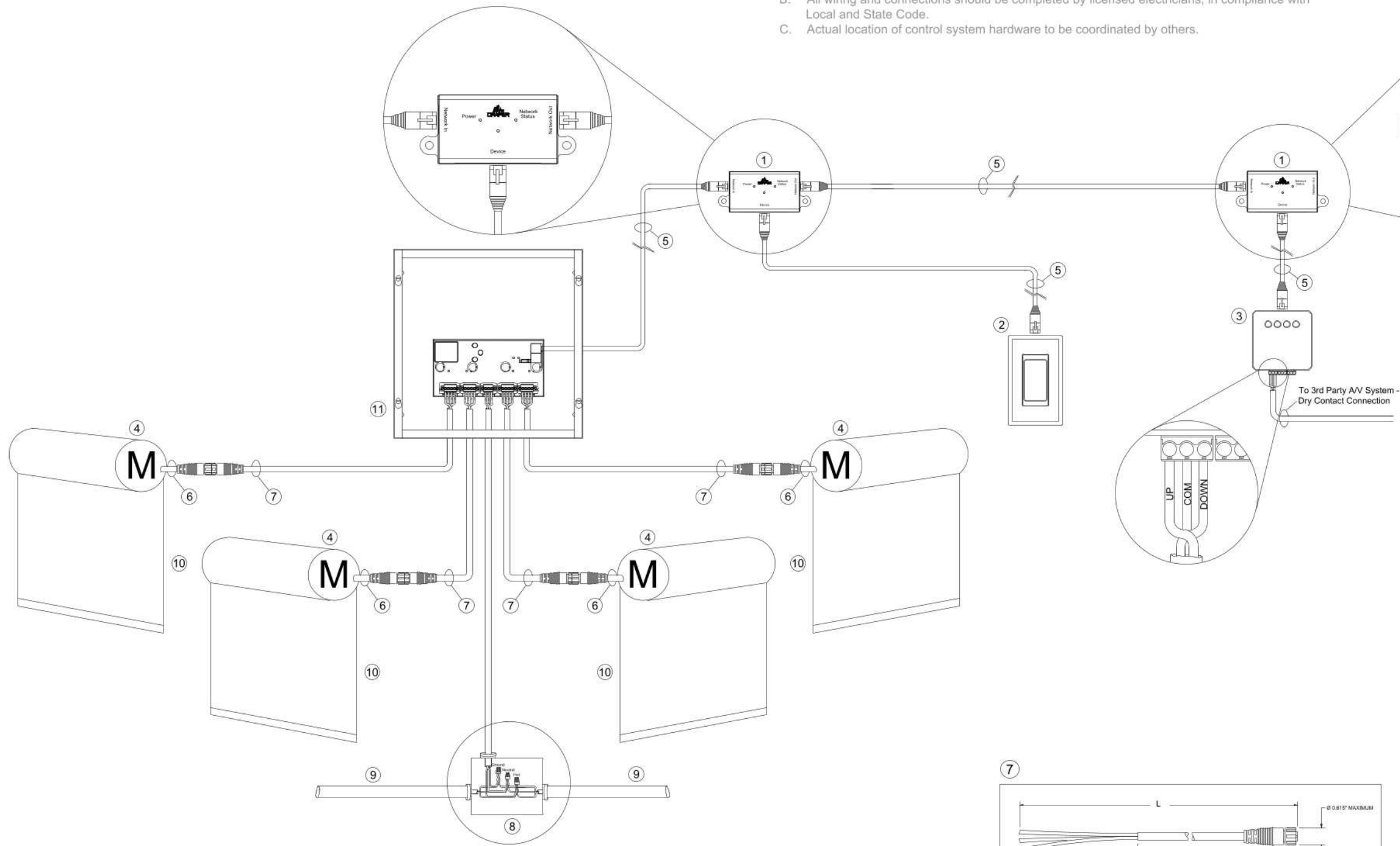
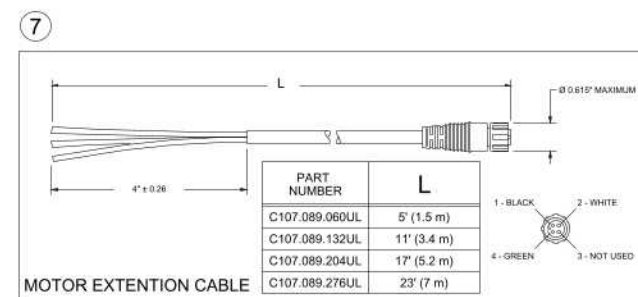


**NOTES**

- A. Wiring layouts are indicative only. It is the responsibility of others to determine the specific requirements and compliance with the local electrical code.
- B. All wiring and connections should be completed by licensed electricians, in compliance with Local and State Code.
- C. Actual location of control system hardware to be coordinated by others.



LED NAME	LED COLOR	LED DISPLAY	DESCRIPTION
POWER	GREEN		Power to the device
	RED		Network termination has been set to ON
NETWORK STATUS	BLINKING YELLOW		Communicating on the network. The blink pattern shows total number of devices on network. A short blink = 1 device A long blink = 10 devices



System Components	
1	Intelliflex I/O Network Device Connector (NDC1) UL Certified, Plenum Rated Part # C156.322
2	Intelliflex I/O Single Zone / Dual Zone Wall Switch Part# C112.161 / C112.162
3	Intelliflex I/O Contact Closure Interface Part# C156.273
4	Standard Motor
5	Intelliflex I/O Bus Line - Low Voltage (BY OTHERS) CAT 5E Cable, straight thru connection with RJ45 termination. Overall wire length not to exceed 4000 ft.
6	Motor Power Cable 120V, 4-Wire Cable (1 Up, 1 Down, 1 Neutral, 1 Ground). 1ft. Length. Complete with Male M12 Disconnect Plug
7	Extension Cable 120V, 4-Wire Cable (1 Up, 1 Down, 1 Neutral, 1 Ground). 5ft. Standard Length (see inset for available sizes). Complete with Female M12 Disconnect Plug
8	Junction Box - by others
9	120V Building Power - by others
10	Roller Shade
11	4 Motor Controller Part# C156.286SA



**DRAWING NAME**  
Intelliflex I/O Typical Wiring Diagram  
with 4 Motor Controller  
and Contact Closure Interface

**PROJECT NOTES**

1. THESE DRAWINGS ARE THE SOLE PROPERTY OF DRAPER INC. AND MAY NOT BE USED OR DUPLICATED WITHOUT WRITTEN CONSENT FROM DRAPER. DRAPER ASSUMES NO RESPONSIBILITY FOR WORK AND/OR ERRORS INCURRED BY OTHER TRADES THROUGH THE USE OF THESE DRAWINGS.

2. ALL SHOP DRAWINGS, NOTATIONS, AND DIMENSIONS MUST BE APPROVED BY THE PURCHASER IN ORDER FOR DRAPER TO PROCEED WITH MATERIAL FABRICATION.

DRAPER, Inc. 411 S. Pearl Street, Spiceland, Indiana 47385    EMAIL: drapercontract@draperinc.com    PH: 765-987-7999    FAX: 866-637-5611

REVISION DESCRIPTION	MM-DD-YY	BY
○ SUBMITTED FOR REVIEW	05-21-24	BJM
○		
○		
○		
○		