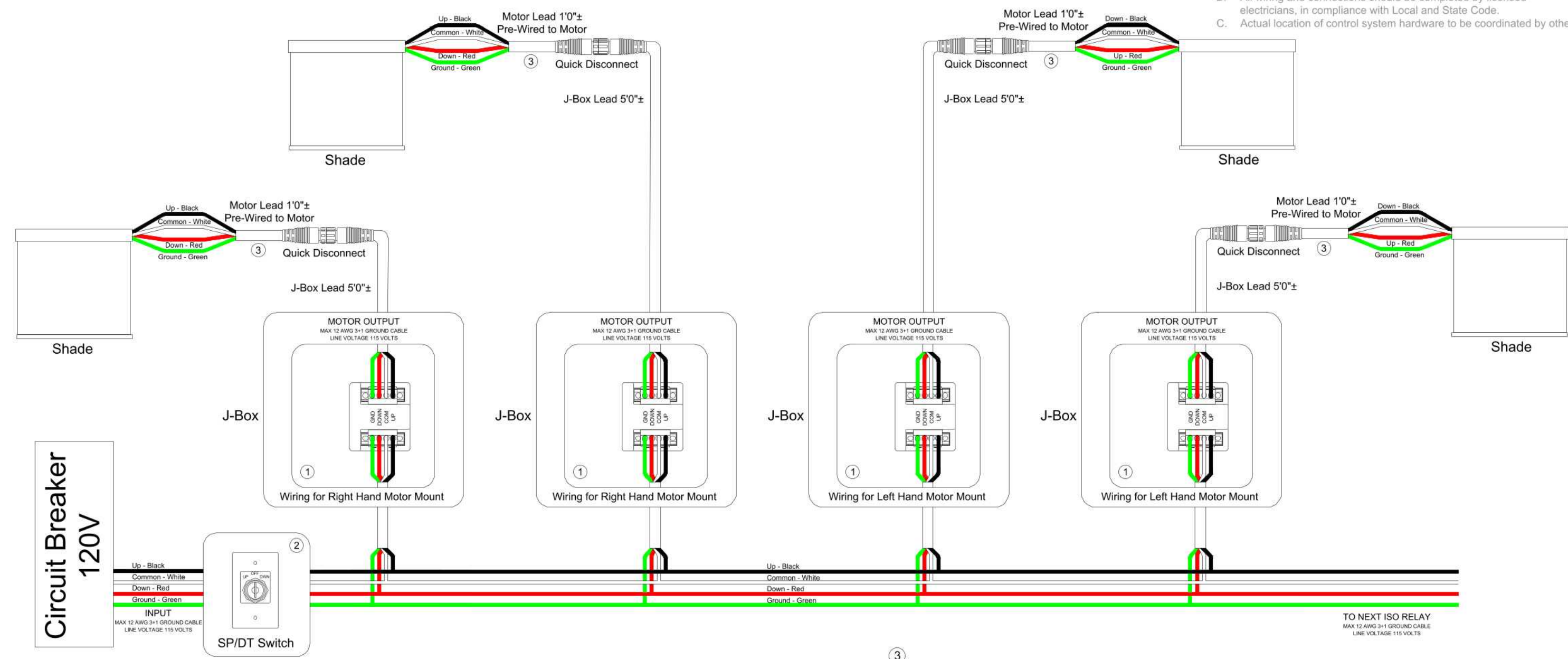


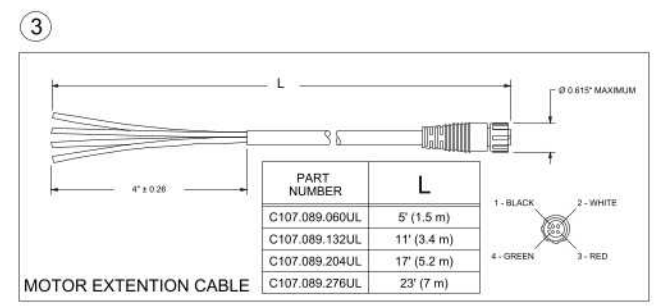
NOTES

- A. Wiring layouts are indicative only. It is the responsibility of others to determine the specific requirements and compliance with the local electrical code.
- B. All wiring and connections should be completed by licensed electricians, in compliance with Local and State Code.
- C. Actual location of control system hardware to be coordinated by others.



Note: DP/DT or other amperage switches may work as well

NOTE: Maximum of 4 motors supported for Key Switch based on typical 1.2A motors



System Components	
1	ISO Relay Part# C157.038
2	KS-3 Three Position Key Switch, Part# 121018 (maintained), 121022 (momentary)
3	Extension Cable 120V, 4-Wire Cable (1 Up, 1 Down, 1 Common, 1 Ground), 5ft. Standard Length (see inset for available sizes), Complete with Female M12 Disconnect Plug



DRAWING NAME
ISO Riser with Key Switch

PROJECT NOTES

- THESE DRAWINGS ARE THE SOLE PROPERTY OF DRAPER INC. AND MAY NOT BE USED OR DUPLICATED WITHOUT WRITTEN CONSENT FROM DRAPER. DRAPER ASSUMES NO RESPONSIBILITY FOR WORK AND/OR ERRORS INCURRED BY OTHER TRADES THROUGH THE USE OF THESE DRAWINGS.
- ALL SHOP DRAWINGS, NOTATIONS, AND DIMENSIONS MUST BE APPROVED BY THE PURCHASER IN ORDER FOR DRAPER TO PROCEED WITH MATERIAL FABRICATION.

DRAPER, Inc. 411 S. Pearl Street, Spiceland, Indiana 47385 EMAIL: drapercontract@draperinc.com PH: 765-987-7999 FAX: 866-637-5611

REVISION DESCRIPTION	MM-DD-YY	BY
○ SUBMITTED FOR REVIEW	07-19-24	BJM
○		
○		
○		
○		