

EZ Fold Motorized Height Adjuster

Electric 8'-10' Height Adjuster for Basketball Backboards

SPECIFICATIONS AND SUBMITTAL

Specifications - Direct Mount 8'-10' Motorized Height Adjuster

For electric 8'-10' height adjustment for rectangular or fan shaped backboards and goals, featuring a direct goal attachment, specify (503093 / 503095 / 503096 / 503097 / 503098 / 503099 / 503104 / 503105). The motorized height adjuster is designed to mount to virtually any style of backstop structure. All Draper backboards have a Lifetime Limited Warranty when used with the motorized height adjuster. Height adjuster includes a self-adhesive height scale that is graduated in 1" increments and labeled at 6" intervals. Height scale applied after installation to ensure accuracy.

The motorized height adjuster is built with a main frame-assembly constructed of 2" x 2 1/2" x 1/4" steel angle and 1/4" thick flat steel. Slip tubes consist of 2 5/8" O.D. outer tubes and 2 1/4" O.D. inner tubes. The motorized height adjuster frame assembly is jig welded and factory assembled to ensure precise alignment and smooth operation. The motorized height adjuster is operated via a 115-volt, 1/10 HP, single-phase gear-motor type linear actuator with a 20% duty cycle. Linear actuator motor is rated at 1.4 amps and provides smooth reversible motion for loads up to 600 lbs. Linear actuator includes cam style limit switches that will allow 24" of travel. The Direct Mount 8'-10' Motorized Height Adjuster is available with standard key switch, EZ Power wireless remote, EZ Stick power wand operation, or control system. Controls other than key switch specified and purchased separately.

Height adjuster features adjustable nylon guide bolts to allow user to minimize movement between slip tubes.

The motorized height adjuster's linear actuator assembly is bolted in place and easily removed for conversion to manual operation.

503093 - For Motorized 8'-10' height adjustment of rectangular bank with key switch.

503095 - For Motorized 8'-10' height adjustment of rectangular bank with wireless remote control.

503096 - For Motorized 8'-10' height adjustment of rectangular bank with EZ Stick Power Wand.

503097 - For Motorized 8'-10' height adjustment of fan bank with key switch.

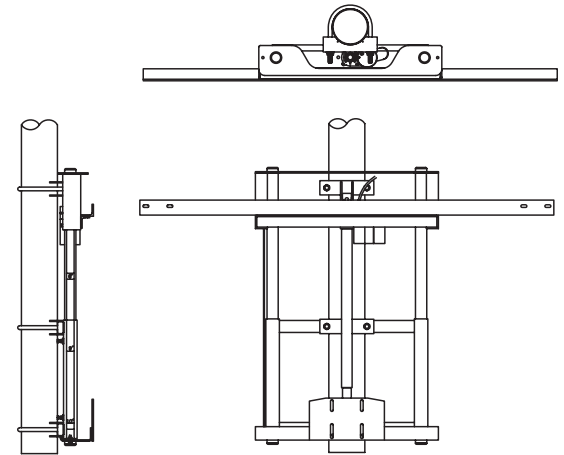
503098 - For Motorized 8'-10' height adjustment of fan bank with wireless remote control.

503099 - For Motorized 8'-10' height adjustment of fan bank with EZ Stick Power Wand.

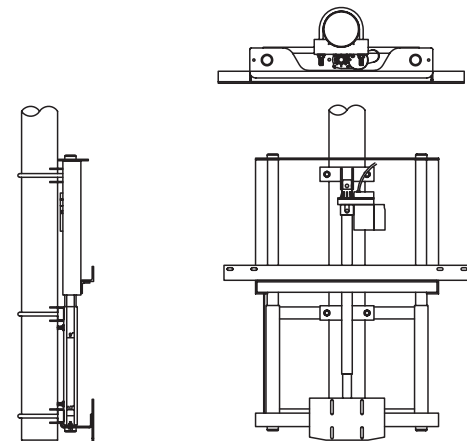
503104 - For Motorized 8'-10' height adjustment of rectangular bank with Control System.

503105 - For Motorized 8'-10' height adjustment of fan bank with Control System.

Please Note: 8'-10' unit is shown for mounting to 6" O.D. stem. Unit can be mounted on any style backstop, or to the wall. The goal mounts to the unit through the backboard and into the goal mounting plate, thus placing less strain on the backboard.



Rectangular Bank Motorized Height Adjuster



Fan Bank Motorized Height Adjuster

Please Mark Appropriate Selections

Select Backboard Mounting Style:

- Fan
 - Glass
 - Fiberglass
 - Aluminum
- Rectangular
 - 42" Glass
 - 42" Wood/Fiberglass
 - 48" Glass
 - 48" Wood/Fiberglass

Select Height Adjuster Mounting Style:

- Mount Height Adjuster on Backstop
 - T-Stem Backstop
 - Wall-Mounted Backstop
 - Double Drop Backstop
- Mount Height Adjuster on Wall

Select Control Options:

- Key Switch (standard) How Many? _____
- EZ Power Wireless Remote Control
- EZ Stick Power Wand
- Control System



Draper, Inc. | 411 S. Pearl St. Spiceland, IN 47385
draperinc.com | 765.987.7999 | 800.238.7999

© 2018 All Rights Reserved | FORM: EZ-MotorizedHeightAdjuster_Sub18

PROJECT: _____

ARCHITECT: _____

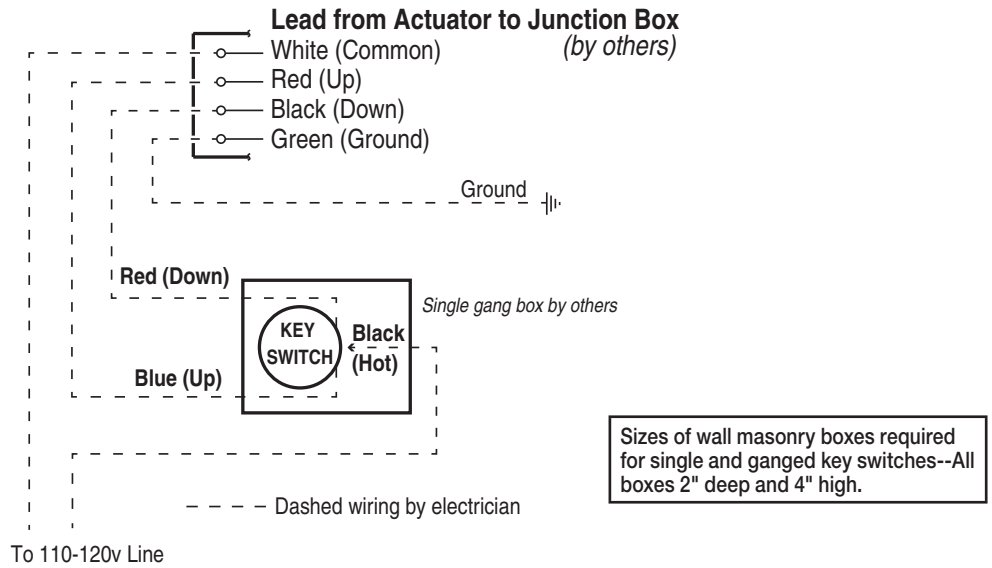
CONTRACTOR: _____

SUPPLIER: _____

DATE: _____ REVISED: _____

Wiring Diagrams - Motorized 8'-10' Direct Mount Height Adjuster By Draper

Wiring Diagram



Key Switch Diagram

