

FlexShade 2 with Pocket

Large Motorized
Window Shade With
Motor-In-Roller by



Specifications—FlexShade 2 with Pocket

_____ window shades, size _____ w. x _____ h..

Equipment:

Electric Operator: Drive unit inside roller, 4-wire, instantly reversible, lifetime lubricated. **Right hand motor location standard**, left hand available. Adjustable limit switches, thermal overload protector and electric brake. Operates on 110-120V AC 1 PH 60 HZ current. Draws 1.1 Amps. For controls, see IntelliFlex® Controls Reference Sheet and IntelliFlex Controls Planning Sheet.

RTS Operator: Drive unit inside roller, 3-wire, instantly reversible, lifetime lubricated. **Right hand motor location standard**. Left hand available. Built-in radio receiver. Limit switches adjustable using wall switch or remote control. Thermal overload protector and electric brake. Operates on 110-120V AC 1 PH 60 HZ current. Draws 1.1 Amps.

Hardware

Rollers: Size—5" O.D. steel tube. Roller assembly easily removable.

Roller Idler Assembly: Zinc-plated steel shaft supported by roller bearings in an aluminum housing.

Slat: ¹³/₁₆" aluminum dowel, encased in heat sealed hem.

Headbox: Pocket headbox constructed of extruded aluminum. Bottom of headbox fully enclosed except for slot allowing fabric passage. Bottom closure panel shall be extruded aluminum, finished white, and may be removed manually for access to roller and drive unit. Aluminum endplates with integrated steel brackets for suspended mounting shall be fastened to extruded headbox with thread-cutting screws.

A variety of control options are available using Draper's IntelliFlex® Control System. See control system reference sheet and planning sheet for details.

Options:

Ceiling Tile Flange: 12' extruded aluminum, finished white. Attaches to pocket headbox. Hardware for attachment to headbox included.

Endcap Ceiling Tile Flange: Extruded aluminum, finished white. Available on one or both endcaps.

Downloadable 3-part specifications are available at www.draperinc.com.

Please Mark Appropriate Selections

Note Overall Opening Size: _____

Options and Accessories:

- Optional Return Air Pocket Headbox
- Reverse Roll (Standard is fabric rolling from back of roller)
- Ceiling Tile Flange for front and or rear of case (12' lengths)
How many 12' lengths do you need? _____

Endcap Options

- Both Endcaps without tile flange
- Both Endcaps with tile flange
- Left-hand Endcap without tile flange
- Left-hand Endcap with tile flange
- Right-hand Endcap without tile flange
- Right-hand Endcap with tile flange

Motor Location:

- Right Hand (standard)
- Left Hand

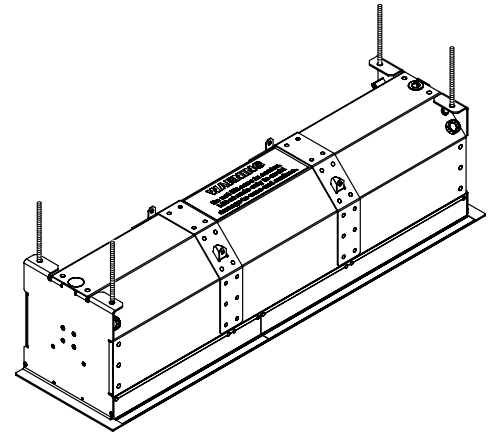
Select Motor and Control Options

- Standard 110-120V AC Motor Controls**
 - 110-120V Wall Switch for Single Shade Control
 - Low Voltage and/or Multiple Shade Control*

Please see Draper's IntelliFlex Controls Reference Sheet and IntelliFlex® Control System Planning Sheet to design a control solution for this product. The forms are available at www.draperinc.com, or by contacting Draper.

Radio Technology Motor Controls

- Altus RF
 - 1-Channel Transmitter
 - 4-Channel Transmitter
 - 5-Channel Transmitter with scroll wheel
 - Dry Contact Interface
 - Single Motor Sun Sensor (Circle one: White/Ivory)
- Wireless Wall Switch
 - 1-Channel (Circle one: White/Ivory)
 - 4-Channel (Circle one: White/Ivory)
 - Chronis 1-Channel with 24-hour Timer
- Multi-Link Universal RTS Interface (5-channel)
- Multi-Link RS232 to RTS Interface (16-channel)



Select Fabric, Color and Openness:*

- Draper GreenScreen® Revive _____
- Draper SunBloc SB9000 _____
- Draper SunBloc SB9100 _____
- Ferrari Soltis 99® _____
- Mermet "E" Screen _____
- Mermet Flocké _____
- Mermet "M" Screen _____
- Mermet "S" Screen _____
- Mermet SilverScreen _____
- Mermet "T" Screen _____
- Mermet Terra _____
- Mermet Vela _____
- Mermet Vizela _____
- Phifer SheerWeave® Basic _____
- Phifer SheerWeave® Infinity _____
- Phifer SheerWeave® PW3500/4100/4400 _____
- Phifer SheerWeave® PW4500/4600 _____
- Phifer SheerWeave® PW4550/4650 _____
- Phifer SheerWeave® PW4800 _____
- Phifer SheerWeave® SW2000/2100 _____
- Phifer SheerWeave® SW2400/2500/2600/2900 _____
- Phifer SheerWeave® SW2701/2703/2705/2710 _____
- Phifer SheerWeave® SW3000 _____
- Phifer SheerWeave® SW5000 _____
- Phifer SheerWeave® SW7000 _____
- Phifer SheerWeave® SW7100 _____
- Phifer SheerWeave® SW7500 _____
- Rockland Roc-Rol _____

*Please see Draper's Shade Fabric Reference Sheet for fabric colors and specifications.



411 S. Pearl St., Spiceland, IN 47385 USA ■ 765-987-7999
www.draperinc.com ■ fax 765-987-7142

Copyright © 2015 Draper Inc. Form FlexShade2_PocketHB_Sub15 Printed in U.S.A.

PROJECT: _____

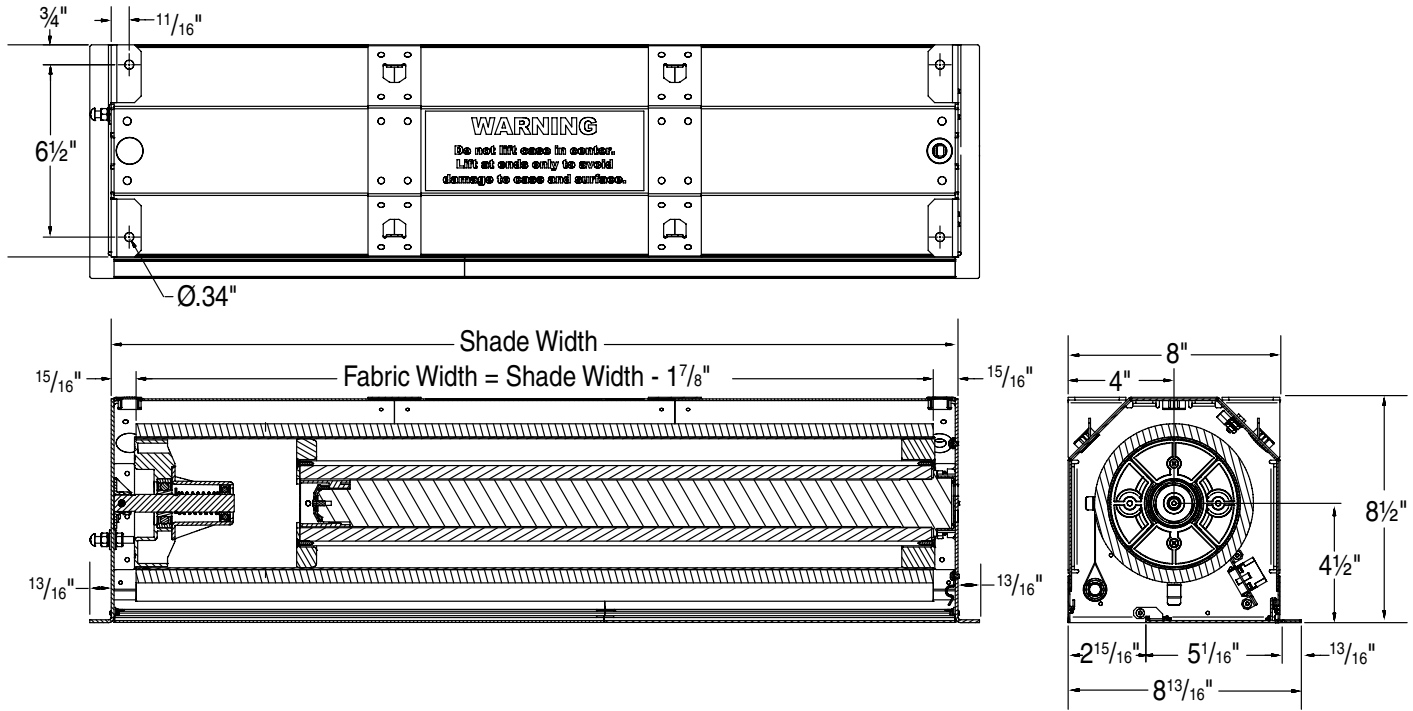
ARCHITECT: _____

CONTRACTOR: _____

SUPPLIER: _____

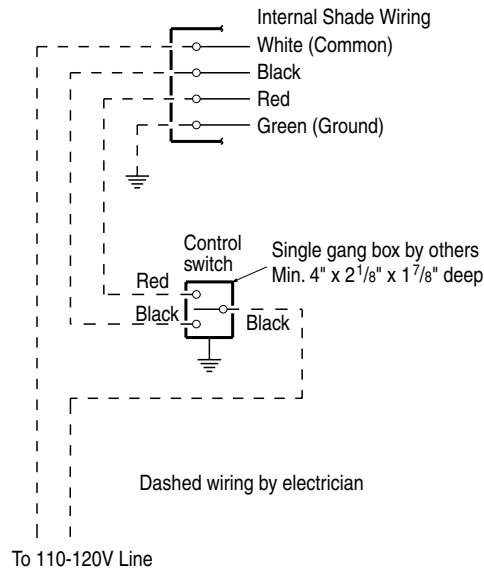
DATE: _____ REVISED: _____

Case Dimensions



Wiring Diagram

For multiple shade or low voltage wiring consult diagrams provided with control.



NOTE: Test shade operation. If shade direction does not correspond with the switch orientation, turn power back off and switch the red and black wires from the motor to the switch.