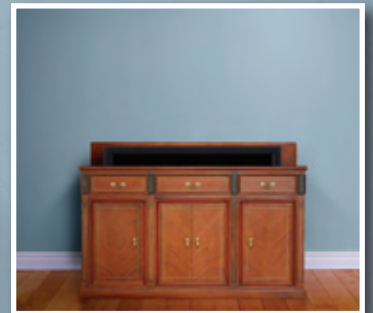
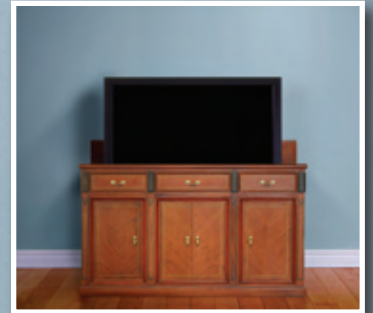


# Draper FlatScreen Lift

DRAPER REVEAL™  
CONCEAL

Now available in 3 sizes: See page 4 for details



**DRAPER, INC.** is pleased to add to its extensive line of projector lifts and mounts its first-ever FlatScreen Lift. This unique product allows you to conceal a flatscreen television or display inside your own cabinetry or furniture, and raise it into view for “showtime.”

Always aiming high, Draper’s FlatScreen Lift far surpasses the competition. Its “stored” dimensions are significantly more compact, and yet the maximum extended height is greater than any other model currently available. In addition, the interior dimensions of the cabinet only need to exceed the height of the stored lift by two inches. The FlatScreen Lift offers more flexibility for the installer or furniture manufacturer.

Draper’s FlatScreen Lift is available in three sizes, accommodating virtually any available model of display up to 65" diagonal, utilizing a universal mounting option and easy “drop-in” installation into your cabinetry or furniture. In addition, it features a unique secondary shelf beneath the display itself, allowing you to attach a matching trim piece to fill the opening left by the open cabinet lid for a clean, finished appearance when raised.

DRAPER

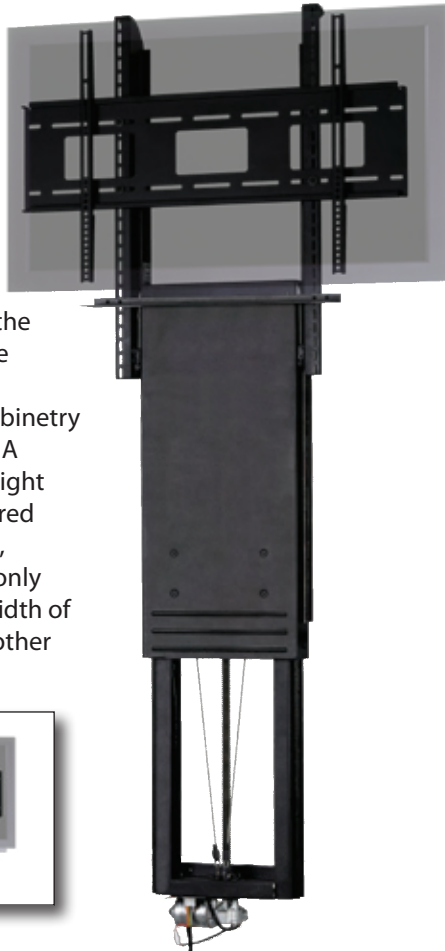
# The Competition

How does Draper's FSL-F-50 compare to the competition? See for yourself.

## Surpassing the Rest

As you can see, Draper's Flatscreen Lift greatly exceeds the abilities of the competition with a vertical extension of up to 148% of stored height. The nearest competitor only offers a possible extension of 84% of stored height. The FSL-F-50 does this while maintaining the most compact design, with the smallest stored height and depth. Easily adjust up and down limits to stop the lift at any intermediate point for "show" and "store" positions.

The compact size of the FSL-F-50 provides the greatest flexibility in installation within cabinetry or custom furniture. A minimum interior height of only 31 $\frac{3}{4}$ " is required for installation space, and the width must only accommodate the width of the display and any other added accessories.



The competition's rack-and-pinion designs fall short due to the inherent limitation imposed upon the display width and height. The upright tracks unnecessarily limit the size of display and any accessories such as speakers, as well as the height of vertical travel.



### Draper FSL-F-50

No assembly required

Lifting capacity is 210 lbs.

No display width limitation

Vertical extension up to 148% of its stored height

Overall depth is 4"

Overall height is 29.75"

Optional RS232 control

Travel Speed is 1 $\frac{3}{8}$ " per second

Deployment time (without load) is 33 seconds\*

Universal Mounting Bracket is included

### Competition Model A

Assembly required

Lifting capacity is 200 lbs.

Display width limited to width of lift

Vertical extension is only 80% of its stored height

Overall depth is 6.75"

Overall height is 32"

Optional RS232 control

Travel Speed is 1 $\frac{1}{2}$ " per second

Deployment time (without load) is 16 seconds

No Universal Mounting Bracket is included

\*longer than other models due to greater extension

# Protect Your Investment

Flatscreen displays are a considerable investment. The long-term safety and stability of your display should therefore be taken into account when choosing a lift. Draper's FSL-F-50 offers smooth acceleration and braking, which prevents "jarring" of the display during operation. In addition, Power Surge Line Overload Protection is built in, preventing spikes in power from damaging your precious equipment.



## Competition Model B

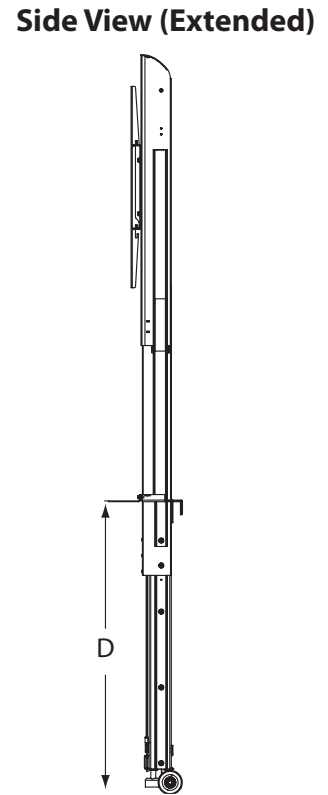
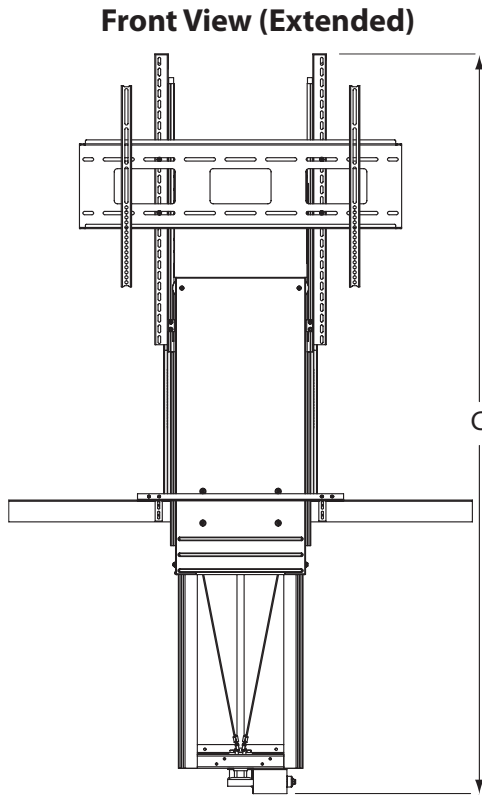
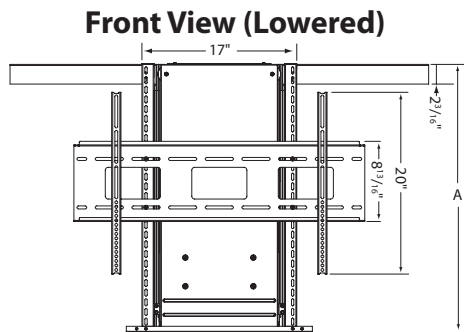
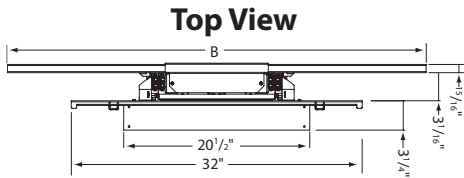
Assembly required
Lifting capacity is 200 lbs.
Display width limited to width of lift
Vertical extension is only 84% of its stored height
Overall depth is 7.125"
Overall height is 33"
Optional RS232 control
Travel Speed is 1 7/8" per second
Deployment time (without load) is 15 seconds
Universal Mounting Rails are included

## Competition Model C

No assembly required
Lifting capacity is 200 lbs.
Display width limited to width of lift
Vertical extension is only 80% of its stored height
Overall depth is 9.75"
Overall height is 33"
No optional RS232 control
Travel Speed is 1 7/8" per second
Deployment time (without load) is 16 seconds
No Universal Mounting Bracket is included

# Technical Data

Model	Dim A	Dim B	Dim C	Dim D
FSL-F-42	25 <sup>13</sup> / <sub>16</sub> "	42"	59 <sup>1</sup> / <sub>4</sub> "	25 <sup>3</sup> / <sub>8</sub> "
FSL-F-50	29 <sup>3</sup> / <sub>4</sub> "	46 <sup>1</sup> / <sub>16</sub> "	73 <sup>1</sup> / <sub>2</sub> "	29"
FSL-F-65	35 <sup>1</sup> / <sub>4</sub> "	63"	83 <sup>5</sup> / <sub>8</sub> "	30 <sup>9</sup> / <sub>16</sub> "



Model FSL-F-42	Model FSL-F-50	Model FSL-F-65
For display sizes up to and including 42" diagonal	For display sizes up to and including 50" diagonal	For display sizes up to and including 65" diagonal
Minimum required interior height of cabinet: 27 <sup>13</sup> / <sub>16</sub> ". Minimum required interior width of cabinet is the width of your display and speakers plus 2".	Minimum required interior height of cabinet: 31 <sup>3</sup> / <sub>4</sub> ". Minimum required interior width of cabinet is the width of your display and speakers plus 2".	Minimum required interior height of cabinet: 37 <sup>1</sup> / <sub>4</sub> ". Minimum required interior width of cabinet is the width of your display and speakers plus 2".
Maximum weight capacity: 210lbs	Maximum weight capacity: 210lbs	Maximum weight capacity: 210lbs
Universal mounting bracket is included	Universal mounting bracket is included	Universal mounting bracket is included; however, a display specific bracket and Draper's SMS WH T2 Flatscreen Mount may be required.
<b>All models:</b>		
Operating noise: 63 dB (not installed in furniture)	24VDC Motor	
Power Surge Line Overload Protection for display	Stops automatically if motor current is overloaded	
Standard controls: RF remote control, contact closure, and 12V trigger (standard).	Optional controls: RS232, and IR remote control are optionally available.	
Automatically switches to "creep" mode as it approaches "up" and "down" limits, which prevents "jarring" of display during operation.	Limits can be adjusted to stop at any intermediate point for the "show" position.	

# DRAPER

411 S. Pearl St., Spiceland, IN 47385 USA ■ www.draperinc.com  
 765-987-7999 ■ fax 765-987-7142  
 © 2008 Draper, Inc. Form:FlatScreen\_Brochure Printed in USA



Contains 25% PCW  
 Recycled Content

